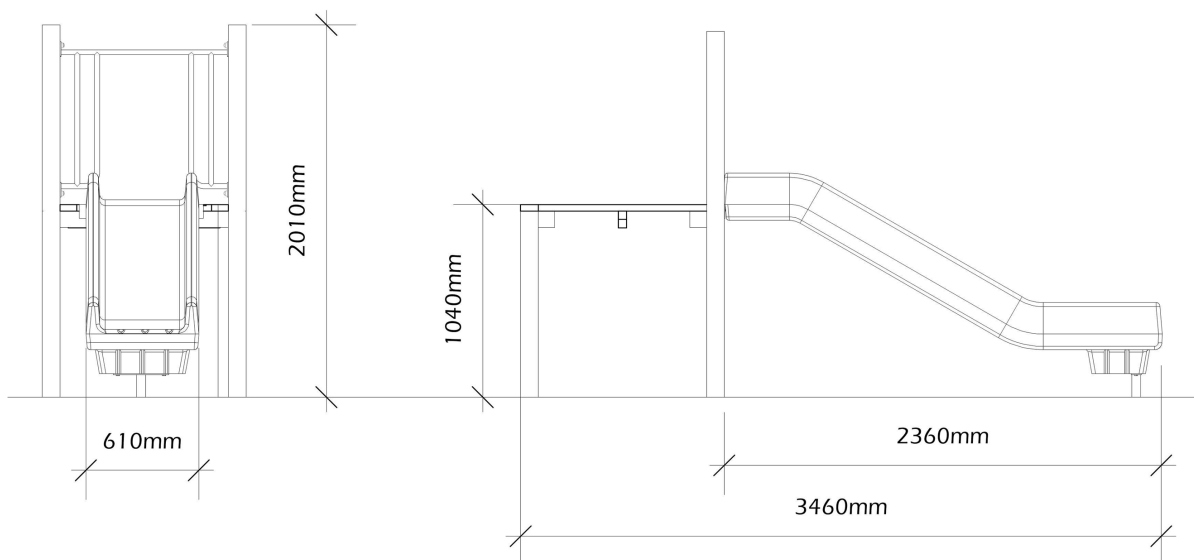


Datasheet

Straight Slide

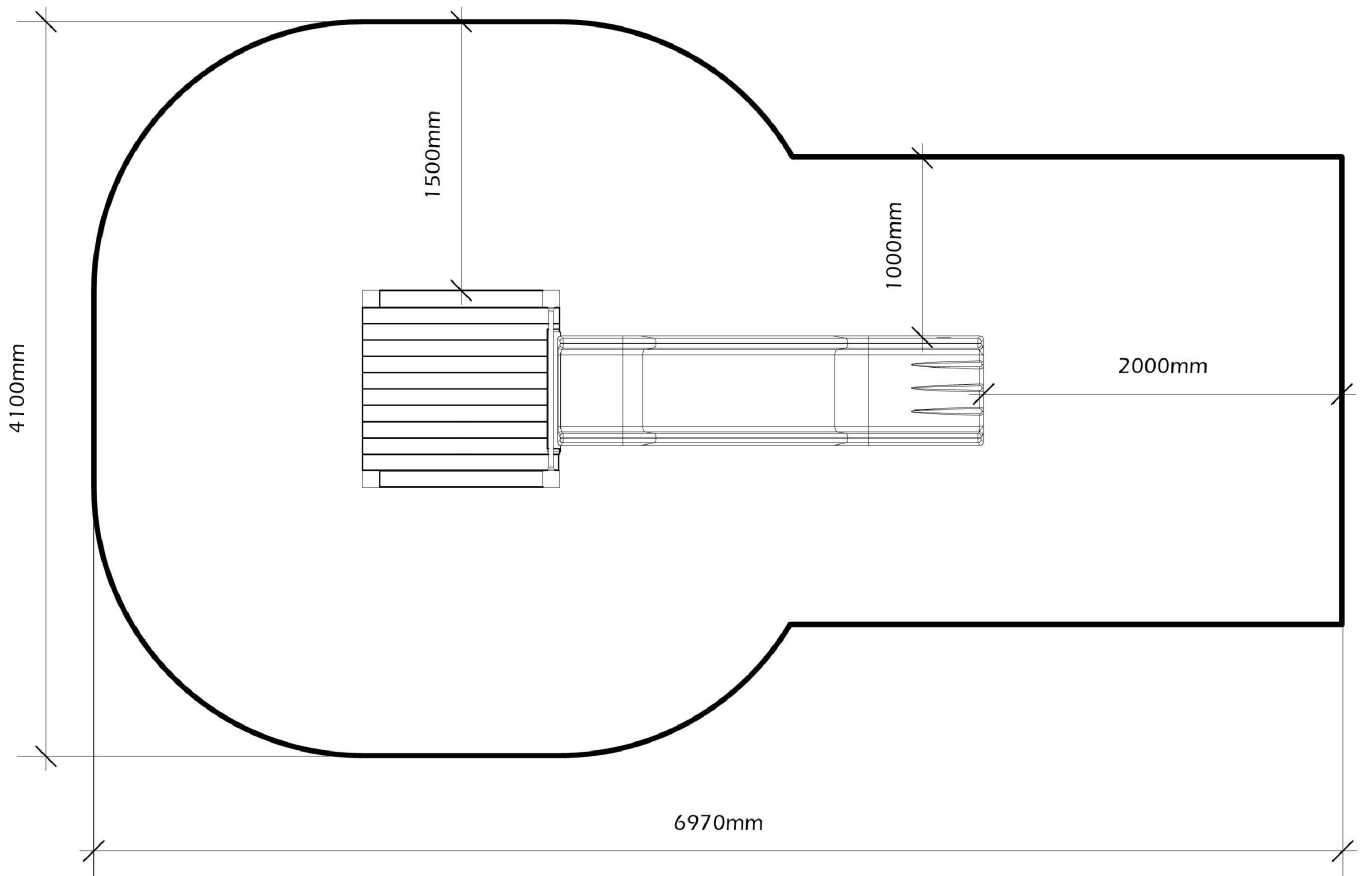
1040mm



Technical Information

Straight Slide

1040mm



| INSTALL TIME | CUBIC METERAGE - LCL |
|--------------|----------------------|
| 5hrs | 1.5 |

| Fall Space Perimeter | Fall space Area |
|----------------------|------------------------|
| 20m | 23m² |

| Play Value |
|--------------------|
| Sliding - 1 |

| FALLING SPACE |
|---------------|
| — |