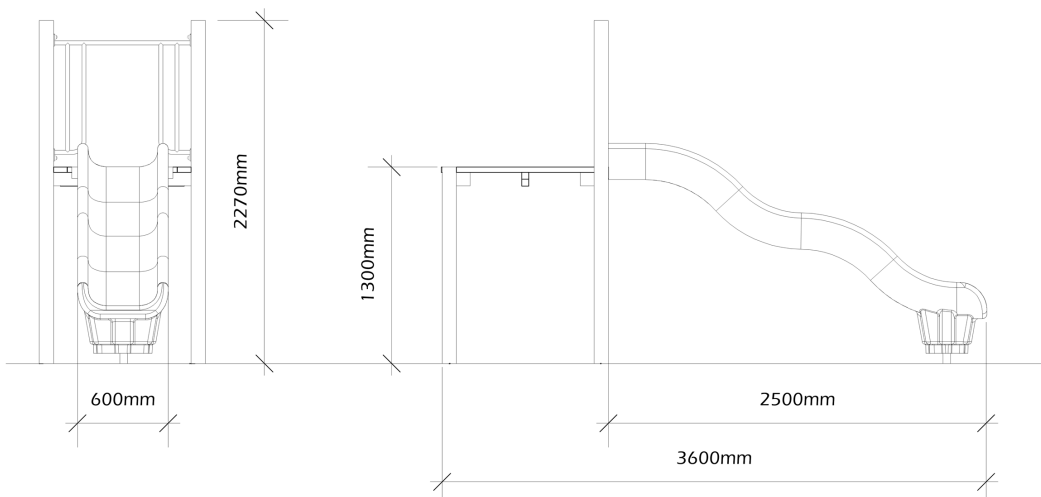


# Datasheet

## Caterpillar Slide

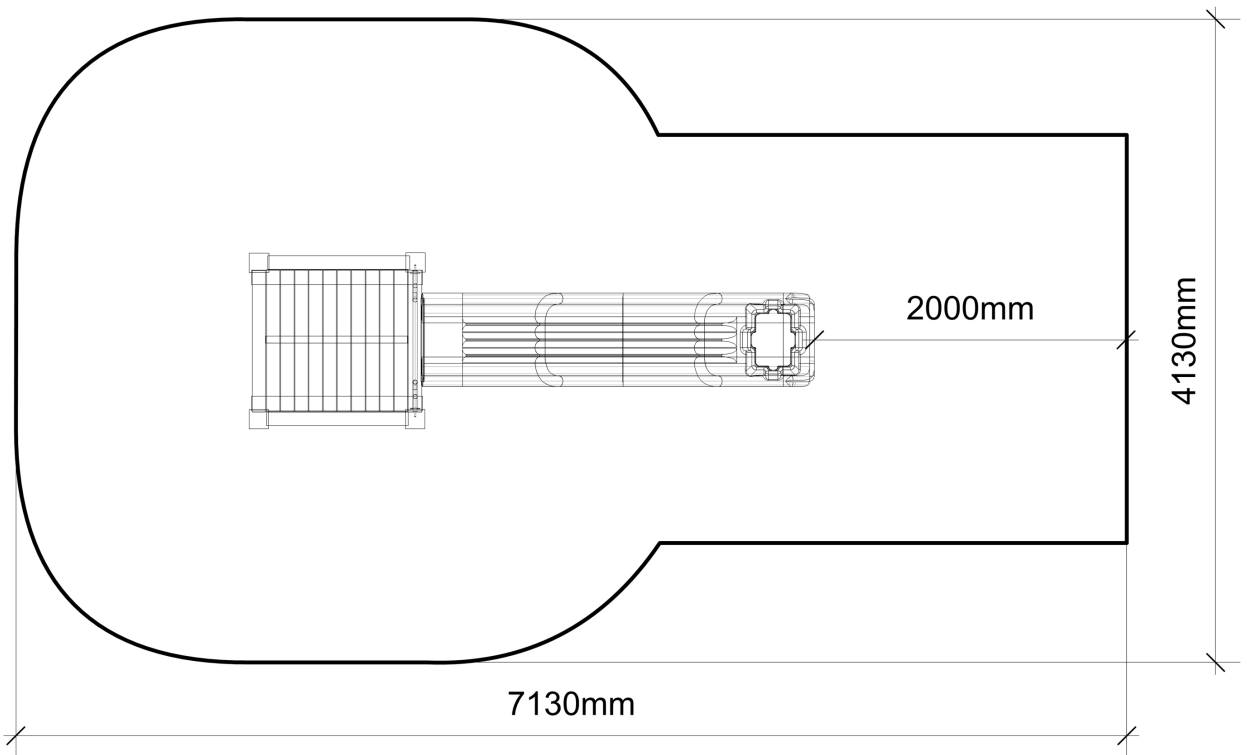
### 1300mm



# Technical Information

## Caterpillar Slide

### 1300mm



INSTALL TIME	CUBIC METERAGE - LCL
<b>5hrs</b>	<b>1.5</b>

Fall Space Perimeter	Fall space Area
<b>23m</b>	<b>30m<sup>2</sup></b>

Play Value
Sliding - <b>1</b>

FALLING SPACE
—