



5+



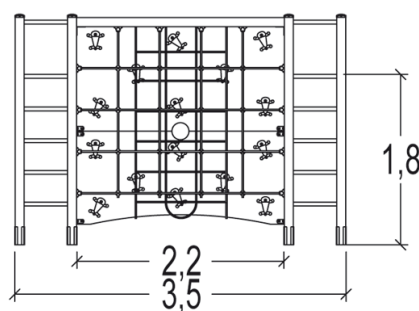
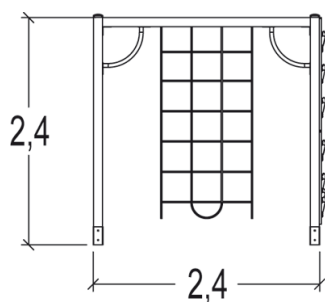
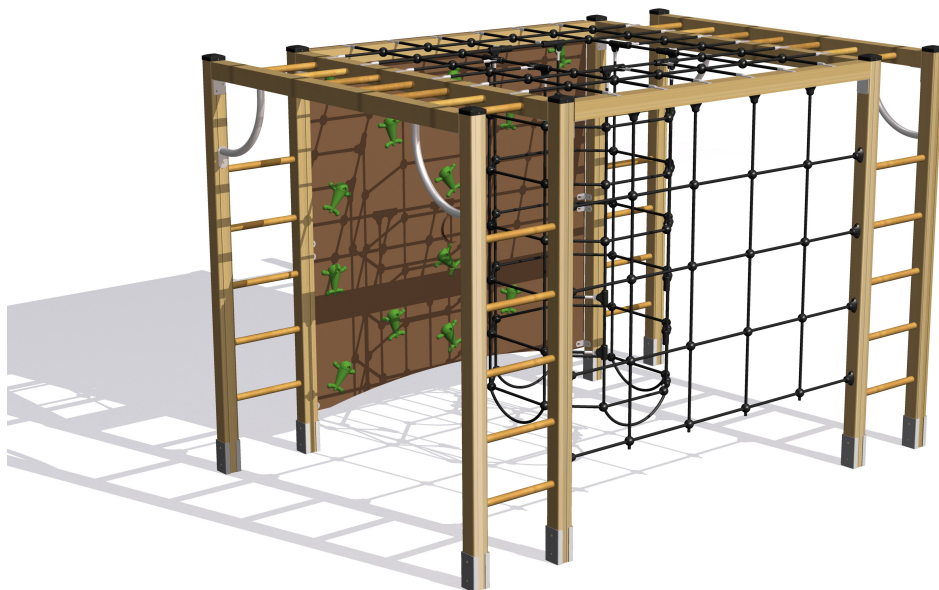
20



2,4m



1 = 3,5m 2 = 2,4m 3 = 2,4m



Play value : **5**

hanging



x1

climbing

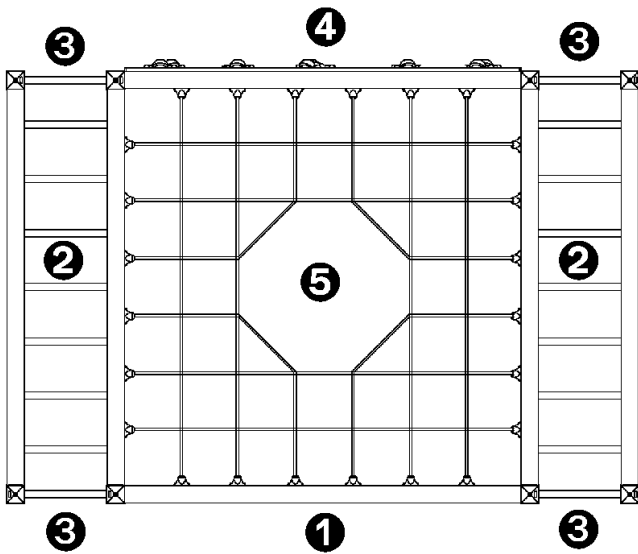


x2

getting across



x2

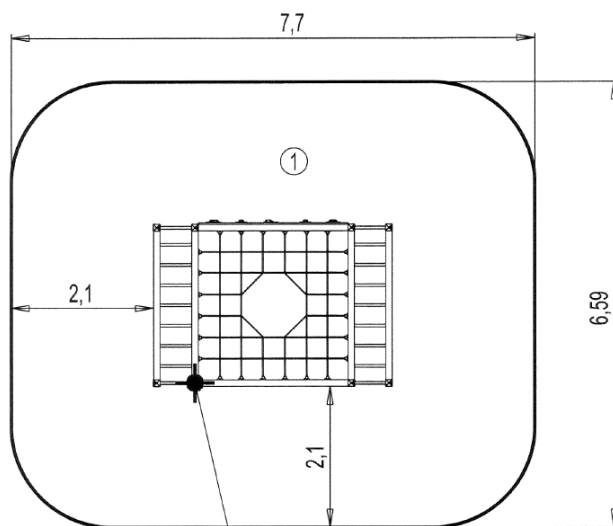


- ① Climbing net
- ② Suspension ladder
- ③ Step ladder
- ④ Climbing wall
- ⑤ Chimney net

Installation of equipment

Impact area =

- Impact area
- Free space



Point de Référence
Setting Out Point
Punto de referencia
Bezugspunkt

1	2,40m	49m ²



2



10h15



0.3m³



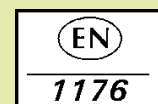
49m²



384kg



42kg



2014-03-11