



3+



17



1,37m



1 = 5,86m 2 = 4,5m 3 = 3m



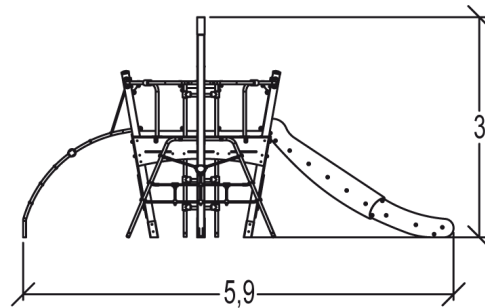
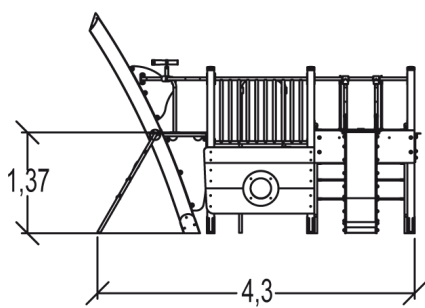
Motor disability



Sensorial disabilities



Learning disabilities



Play value : 7

sliding



x2

meeting



x1

hiding



x1

visual stimulation

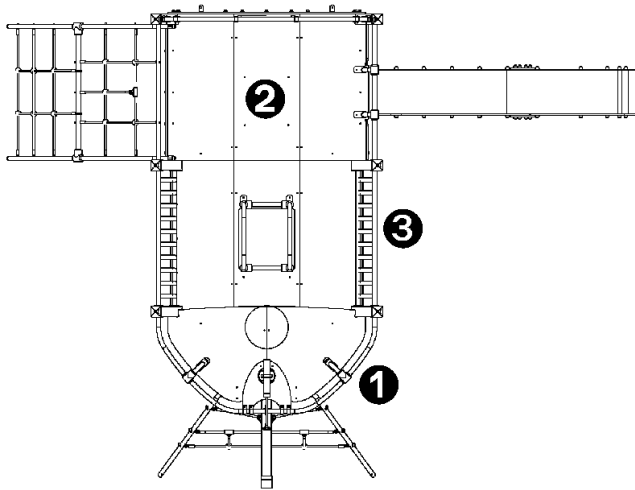


x1

climbing



x2

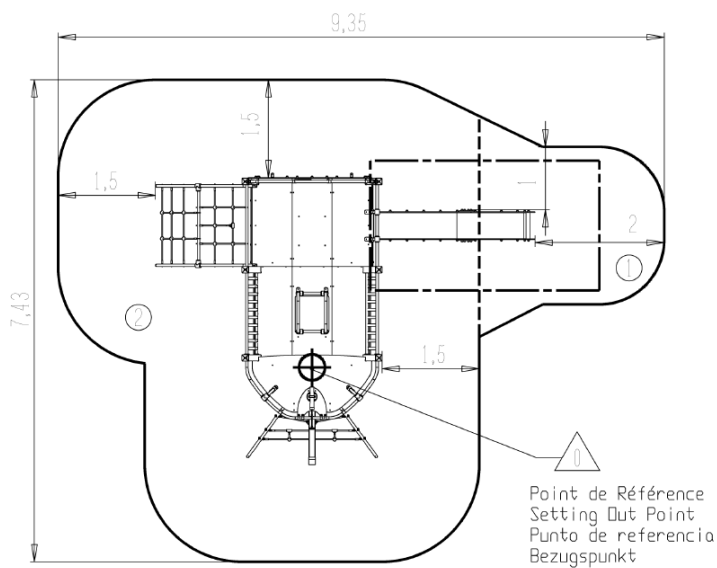


- ① LA PROUE
- ② FILET + TOBOGGAN
- ③ GARDE CORPS

Installation of equipment

Impact area =

- Impact area
- Free space



1	1m	7m ²
2	1,37m	42m ²



2



32h00



0.5m³



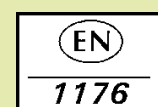
49m²



681kg



33kg



Proludic

0000-00-00