



3+



75



1,7m



1 = 13,09m 2 = 12,69m 3 = 6,9m



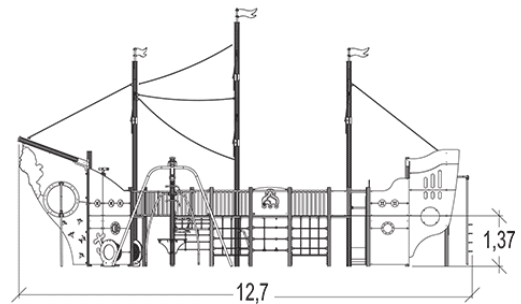
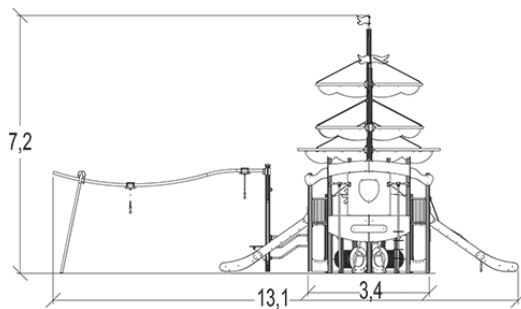
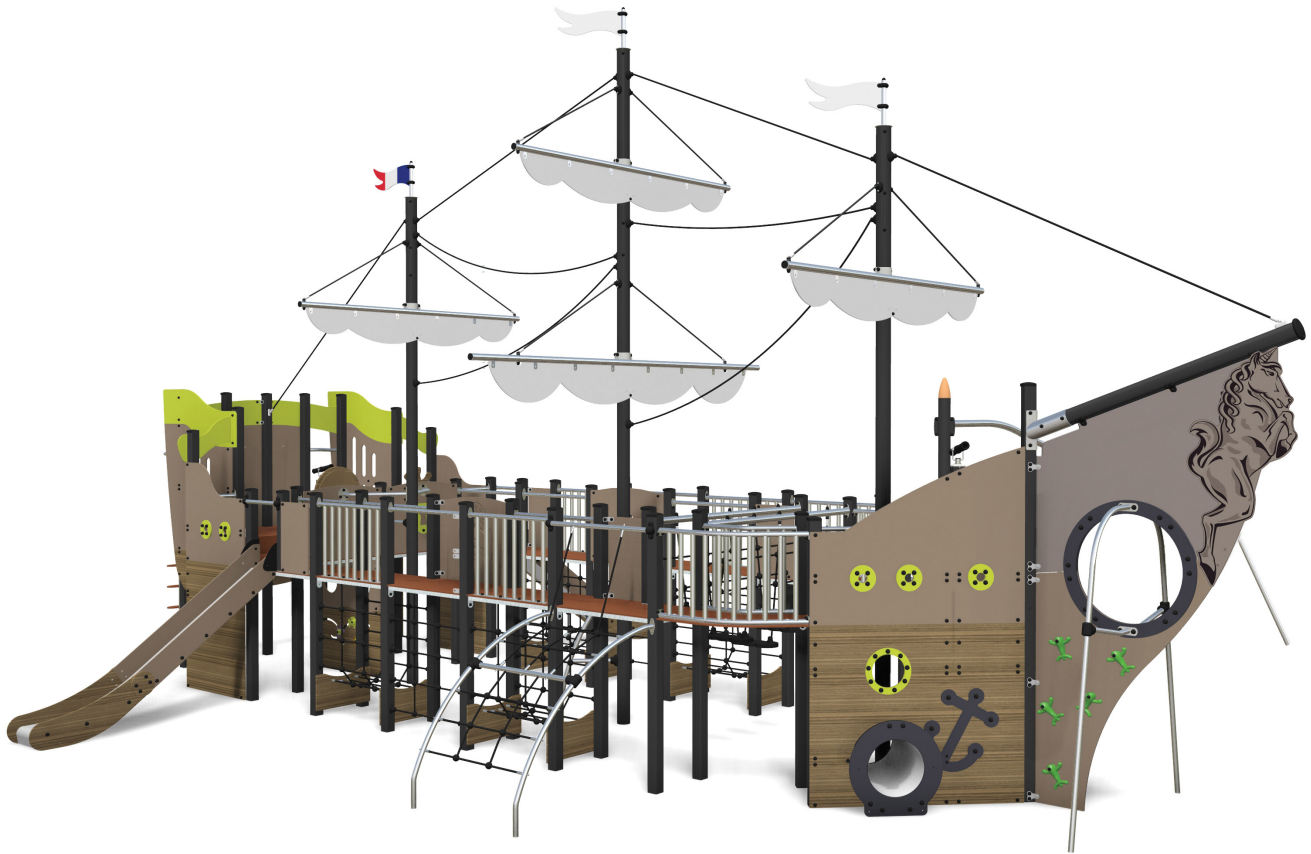
Motor disability



Sensorial disabilities



Learning disabilities



Play value : 13

climbing



x1

role play



x1

sliding



x2

meeting



x1

handling



x2

thinking



x1

tactile stimulation



x1

visual stimulation

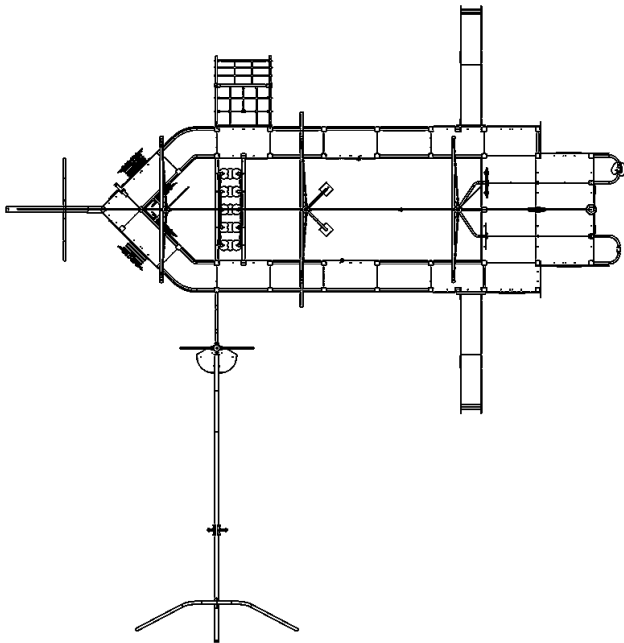


x2

climbing



x2

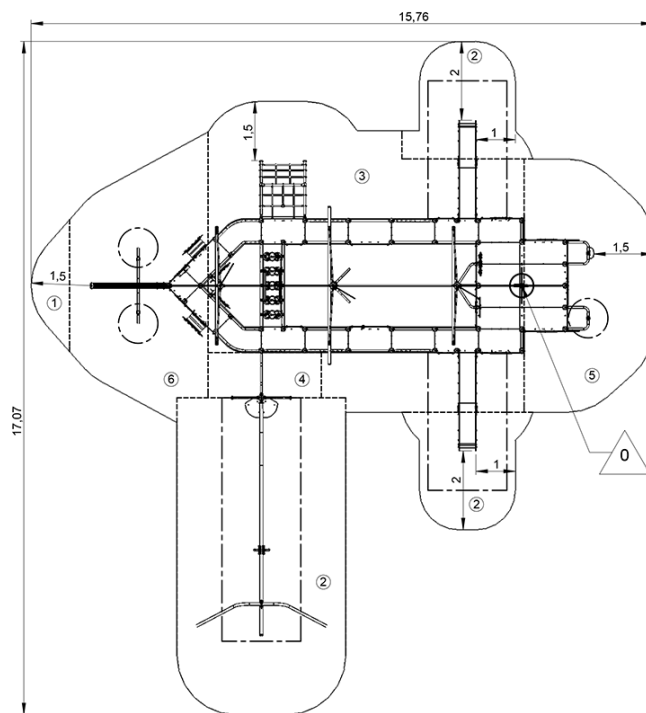


- ① Fireman's pole HT: 1.37
- ② Parrot mast HT: 1.37m
- ③ Incline net H: 1.37m
- ④ Telescope
- ⑤ Cableway
- ⑥ Slide H: 1.37m
- ⑦ Climbing net
- ⑧ Climbing net
- ⑨ Tunnel
- ⑩ Tunnel
- ⑪ The Pachinko Play Panel
- ⑫ Telescope
- ⑬ Climbing wall

Installation of equipment

Impact area =

- Impact area
- Free space



| | | |
|---|-------|--------------------|
| 1 | 0,6m | 2,5m ² |
| 2 | 1m | 47,5m ² |
| 3 | 1,37m | 54m ² |
| 4 | 1,4m | 3,5m ² |
| 5 | 1,5m | 18,5m ² |
| 6 | 1,7m | 20,5m ² |



4



70h00



2.3m³



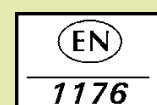
145.5m²



3011kg



40kg



Proludic

0000-00-00