



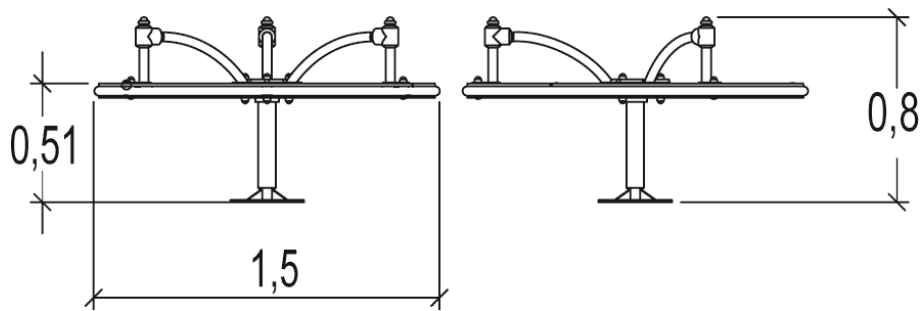
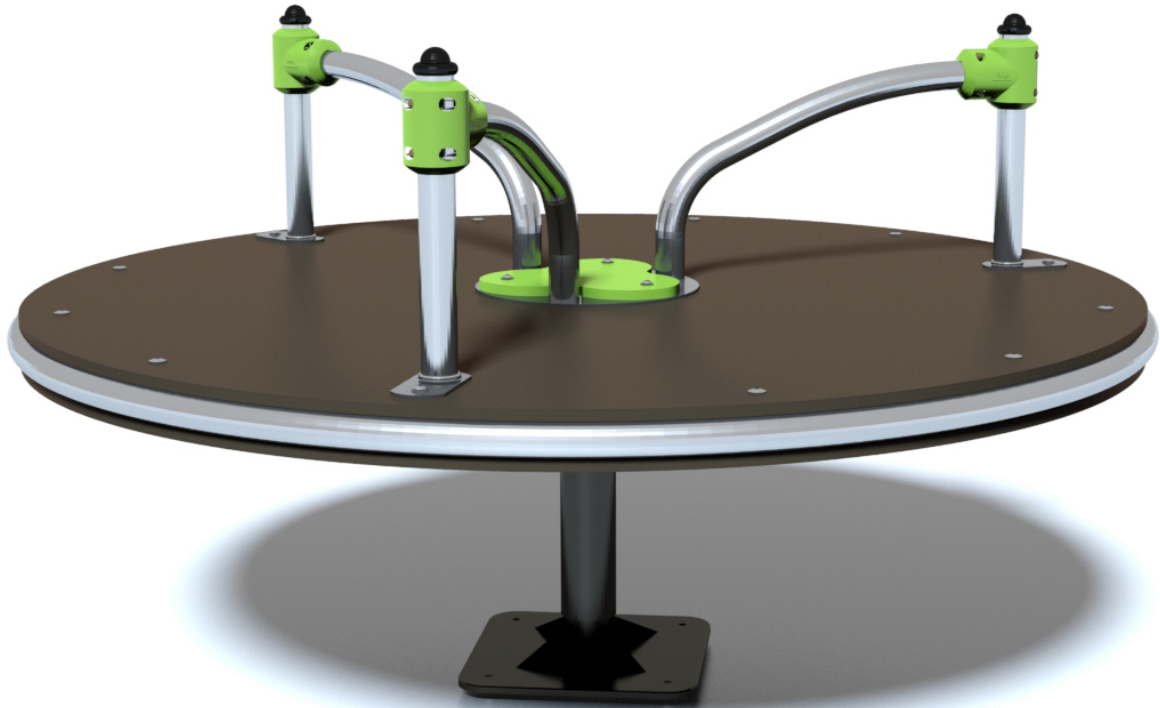
 3+	 8	 1m	 1 = 1,5m 2 = 1,5m 3 = 0,78m
---	---	--	---

	Motor disability	<input type="checkbox"/>
	Sensorial disabilities	<input type="checkbox"/>
	Learning disabilities	<input type="checkbox"/>



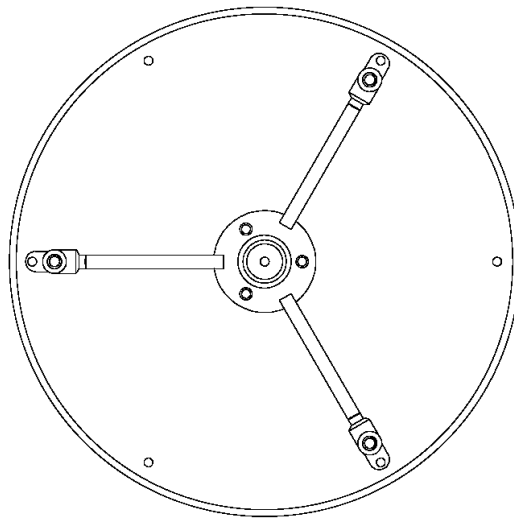
Play value : 2

balancing



rotating







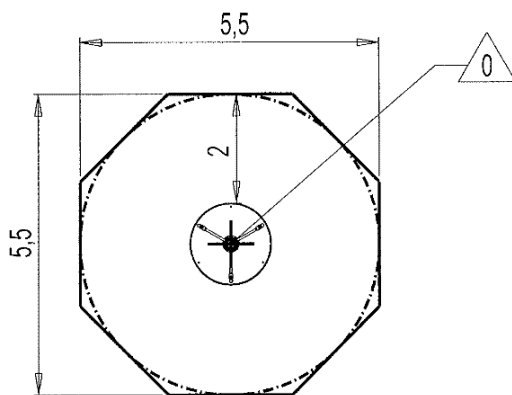
Installation of equipment







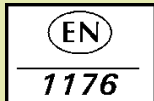

Impact area =

-  Impact area
-  Free space

	
1	1m
25m ²	

Point de Référence
Setting Out Point
Punto de referencia
Bezugspunkt



							
2	01h45	0.15m ³	25m ²	123kg	112kg		2002-06-11