



6+



2

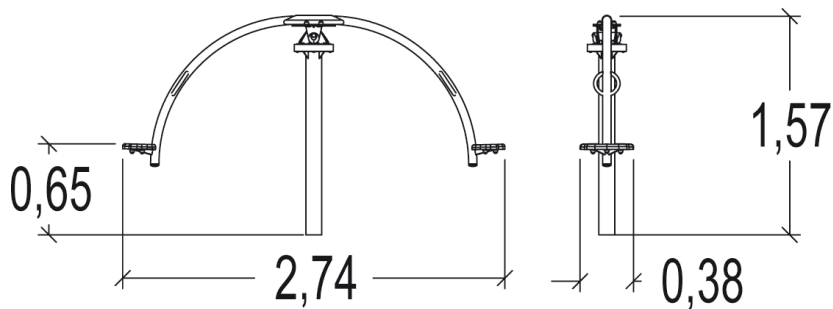


1,3m



1 = 2,73m 2 = 0,4m 3 = 1,57m

If installed onto wetpour safer surfacing, we recommend a NON-FINES CONCRETE BASE.



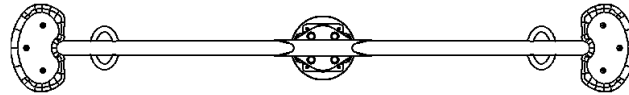
Play value : **2**

balancing



rotating

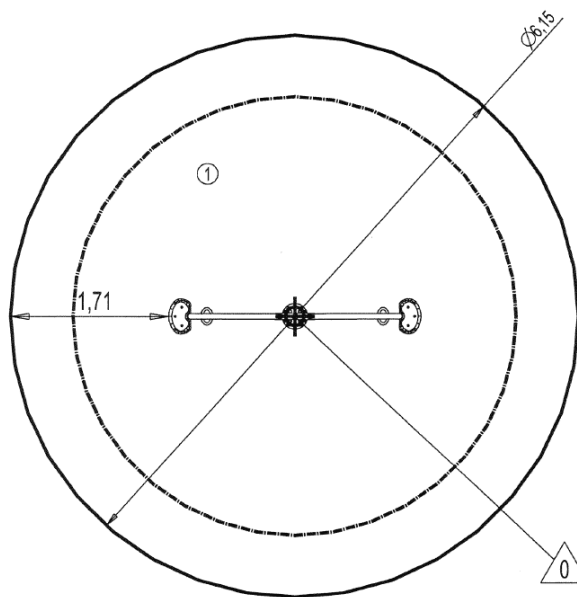






Installation of equipment

Impact area =

-  Impact area
-  Free space



Point de Référence
Setting Out Point
Punto de referencia
Bezugspunkt
Referentiepunt

		
1	1,30m	30m ²



2



03h00



0.3m³



30m²



79kg



32kg



Proludic

2013-03-14