



6+



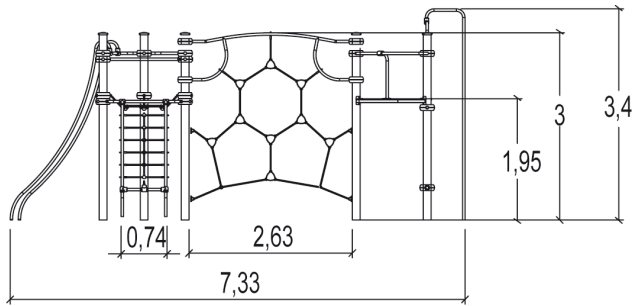
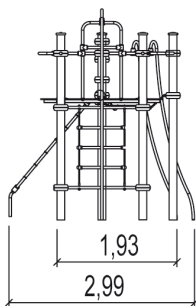
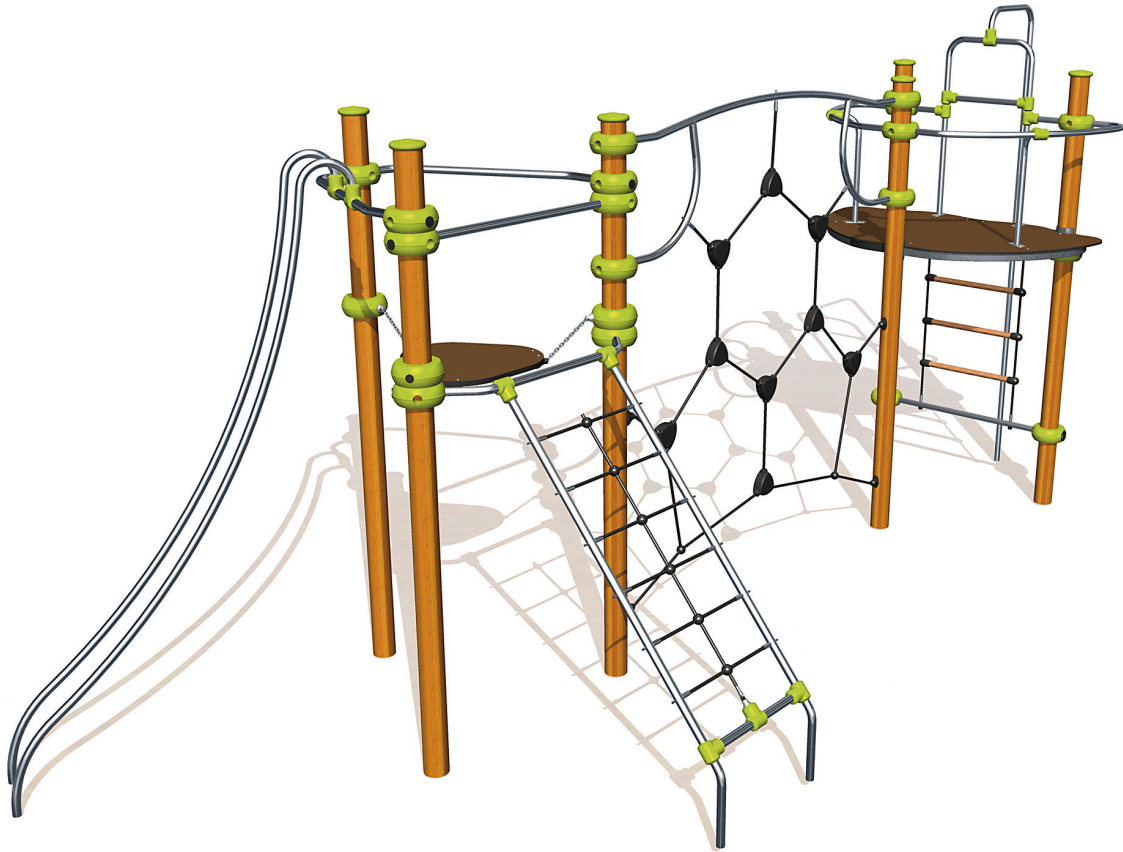
20



3m



1 = 7,32m 2 = 3m 3 = 3,4m



Play value : 9

sliding



x2

meeting



x2

balancing



x1

climbing

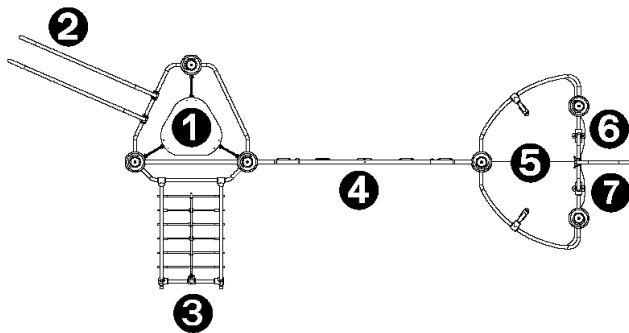


x3

getting across



x1

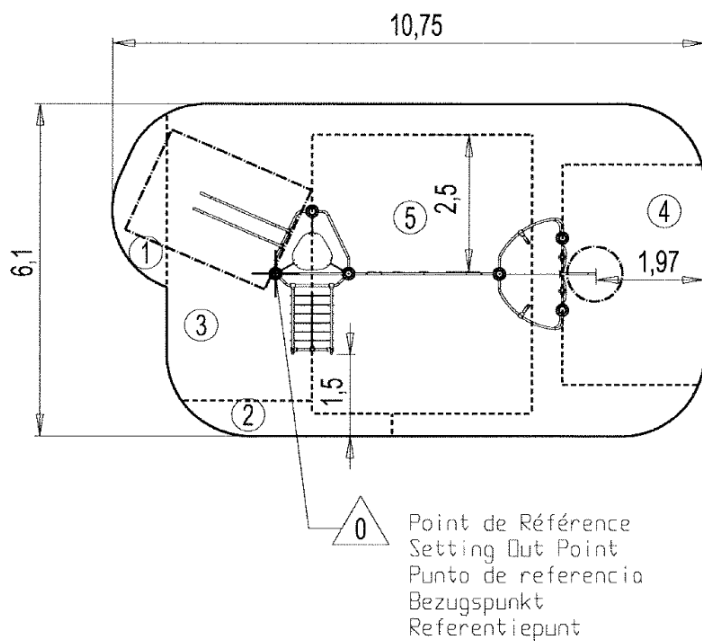


- ① Delta tower
- ② Speed slide
- ③ Delta Incline net
- ④ Net IXO
- ⑤ Gamma tower
- ⑥ Delta Straight ladder
- ⑦ Fireman's pole

Installation of equipment

Impact area =

- Impact area
- Free space



1	0,6m	2,5m ²
2	1m	2m ²
3	1,95m	25,5m ²
4	2,2m	10,5m ²
5	3m	20,5m ²



2



20h00



0.72m³



61m²



394kg



20kg



Proludic

2012-10-09