



6+



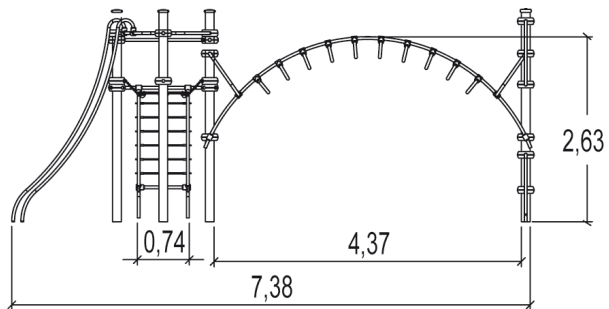
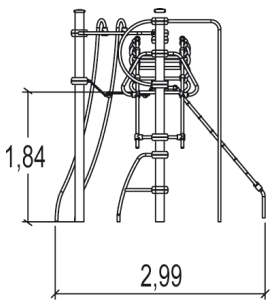
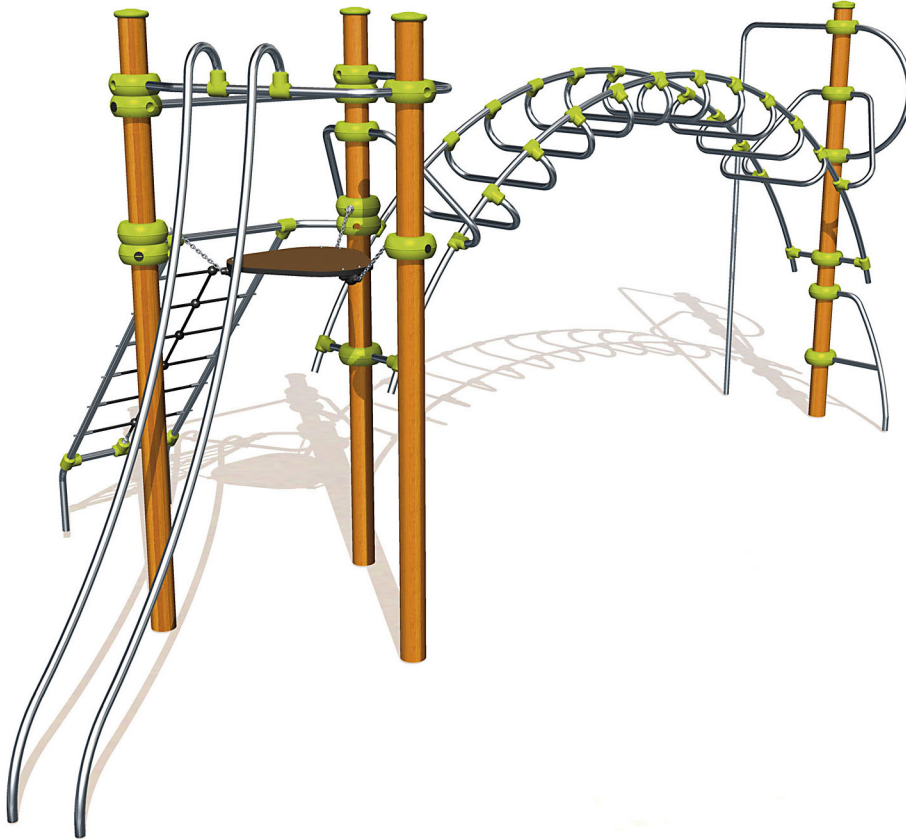
14



2,4m



1 = 7,43m 2 = 2,79m 3 = 3m



Play value : 9

sliding



x2

meeting



x1

hanging



x1

balancing



x1

climbing

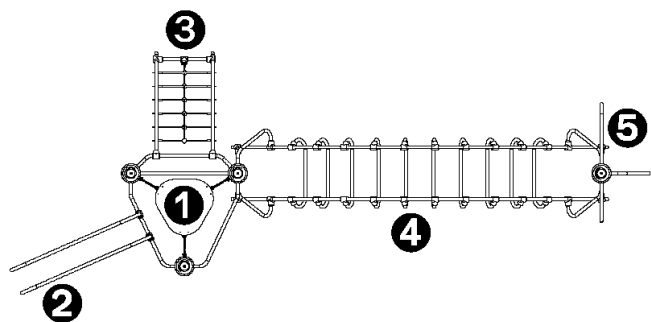


x3

getting across



x1

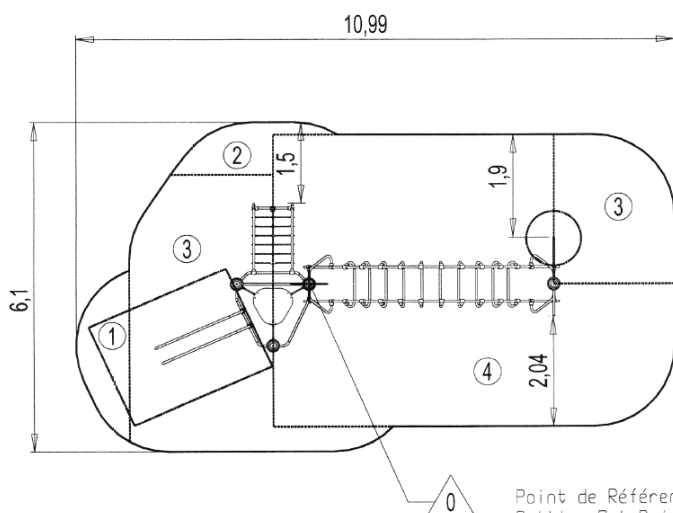


- ① Delta tower
- ② Speed slide
- ③ Delta Incline net
- ④ Great arch
- ⑤ Parrot mast

Installation of equipment

Impact area =

- Impact area
- Free space



Point de Référence
Setting Out Point
Punto de referencia
Bezugspunkt
Referentiepunt

1	0,6m	2m ²
2	1m	2,5m ²
3	2m	19,5m ²
4	2,4m	33,5m ²



2



16h00



0.4m³



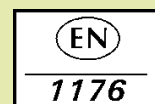
57.5m²



288kg



54kg



Proludic

2012-10-09