



6+



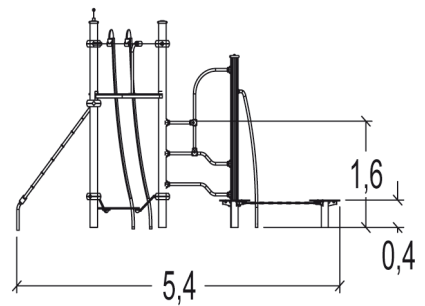
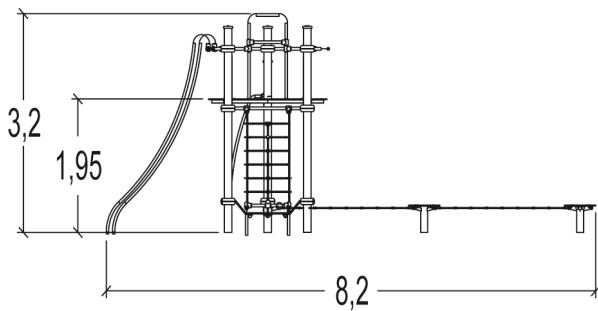
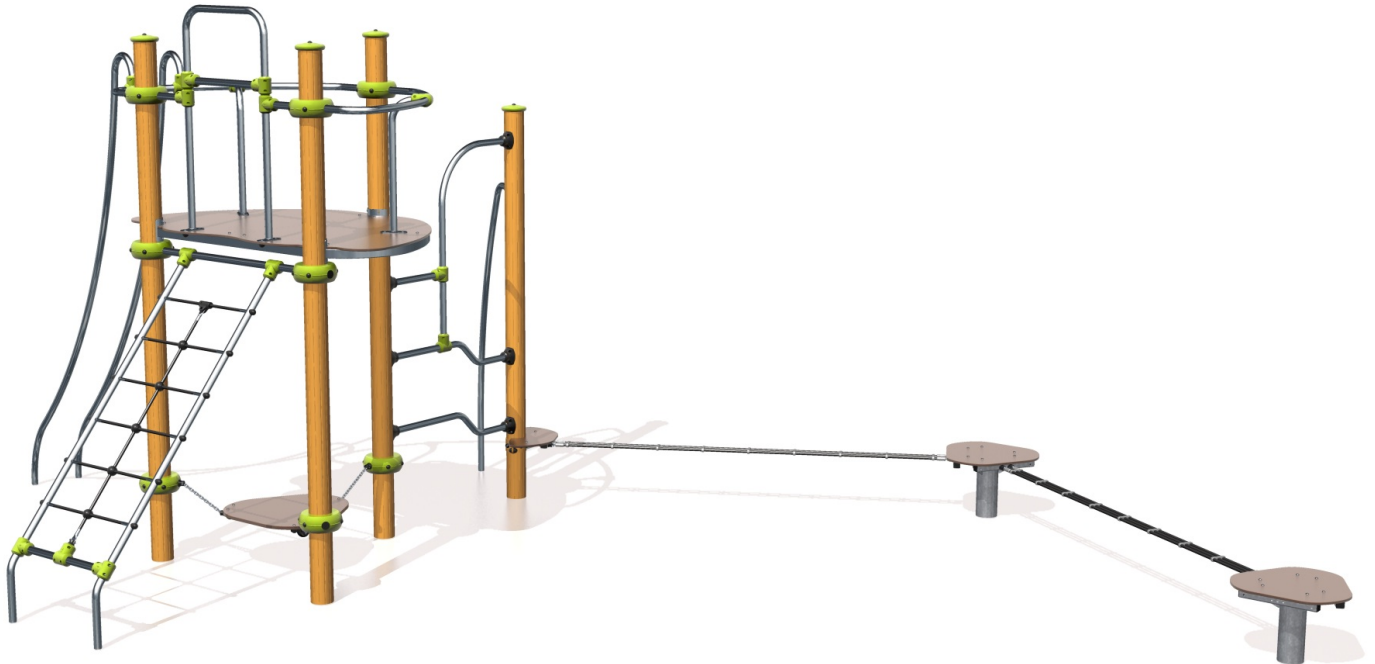
18



1,95m



1 = 8,19m 2 = 5,38m 3 = 3,19m



Play value : 8

sliding



x1

meeting



x1

balancing



x3

climbing

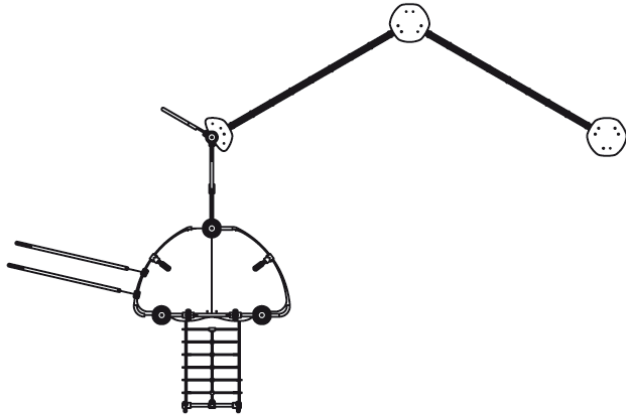


x2

getting across



x1

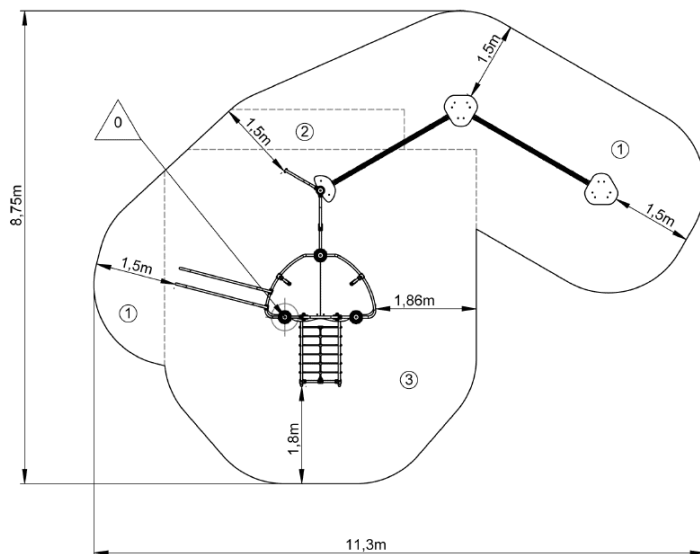


- ① Gamma tower
- ② Speed slide
- ③ Incline net
- ④ Suspended platform
- ⑤ Balance sling
- ⑥ Elingue extension

## Installation of equipment

Impact area =

- Impact area
- Free space



1	0,6m	24,5m <sup>2</sup>
2	1,55m	2,5m <sup>2</sup>
3	1,95m	33m <sup>2</sup>



2



07h00



1m<sup>3</sup>



60m<sup>2</sup>



304kg



20kg



*Proludic*

0000-00-00