
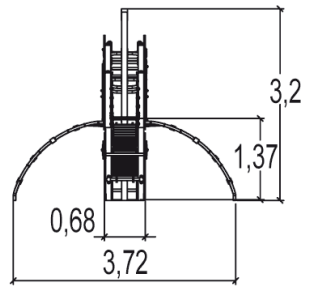
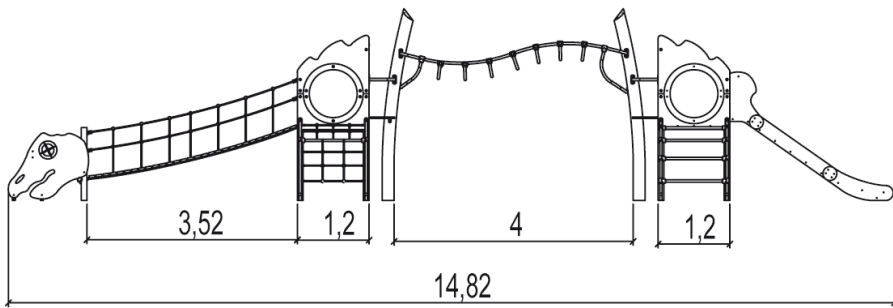
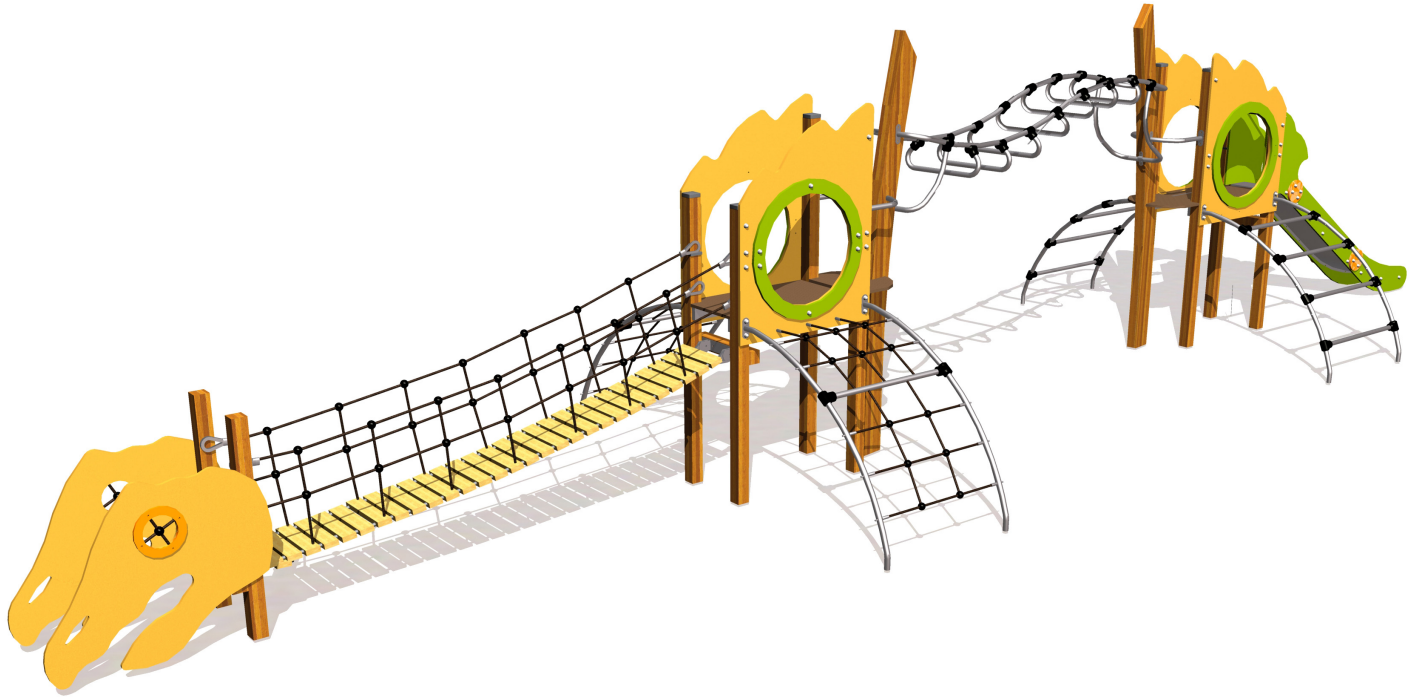








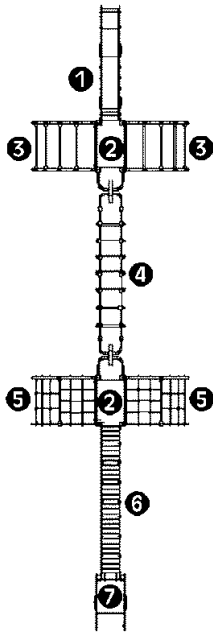
**4+** | **23** | **2,6m** | **1 = 15m 2 = 3,8m 3 = 3,2m**


 Motor disability     
 Sensorial disabilities     
 Learning disabilities



**Play value : 6**

 role play x1	 sliding x1	 meeting x1	 hanging x1	 climbing x1	 getting across x1
--	--	--	--	---	--

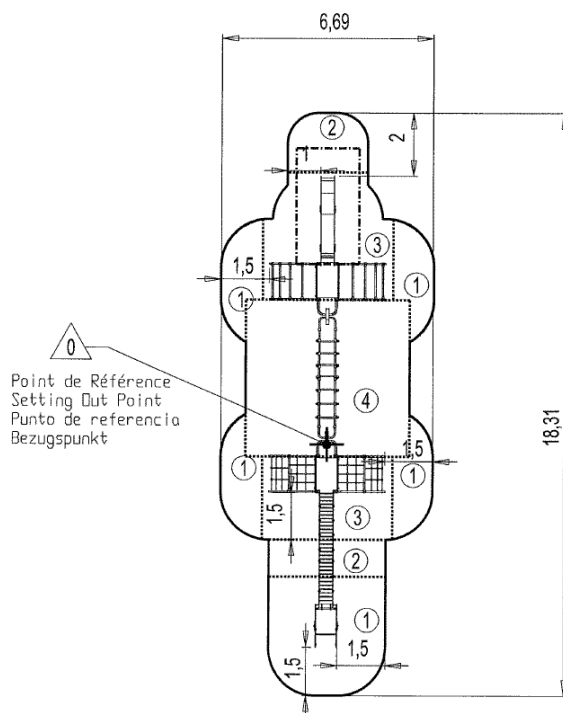


- ① Slide HT: 1.37m
- ② Platforms HT: 1.37m
- ③ Arched ladder
- ④ Acrobranch
- ⑤ Incline net HT: 1.37m
- ⑥ Flexible bridge
- ⑦ Crow's nest

## Installation of equipment

Impact area =

- Impact area
- Free space



1	0,60m	27,5m <sup>2</sup>
2	1,00m	9m <sup>2</sup>
3	1,37m	26m <sup>2</sup>
4	2,6m	26m <sup>2</sup>



2



25h00



0.75m<sup>3</sup>



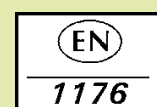
88.5m<sup>2</sup>



739kg



82kg



*Proludic*

2012-12-10