



3+



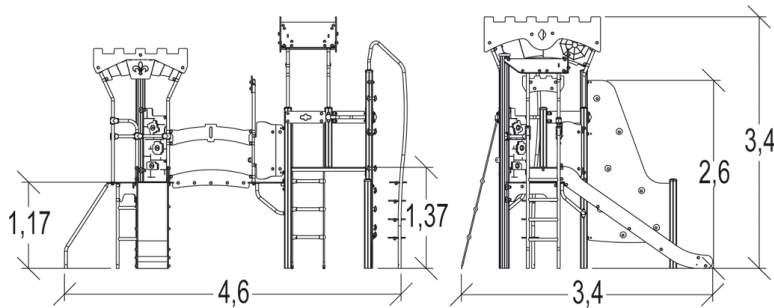
22



2,6m



1 = 4,48m 2 = 3,35m 3 = 3,22m



Play value : 12

climbing



x1

sliding



x1

meeting



x2

handling



x1

taking shelter



x2

thinking



x1

climbing

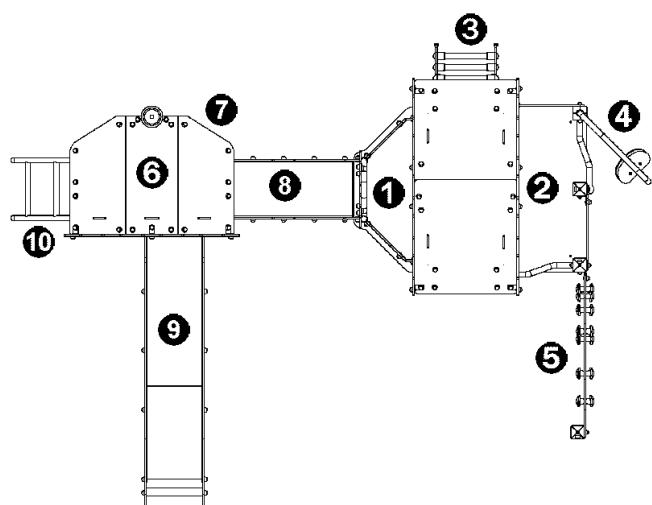


x3

getting across



x1

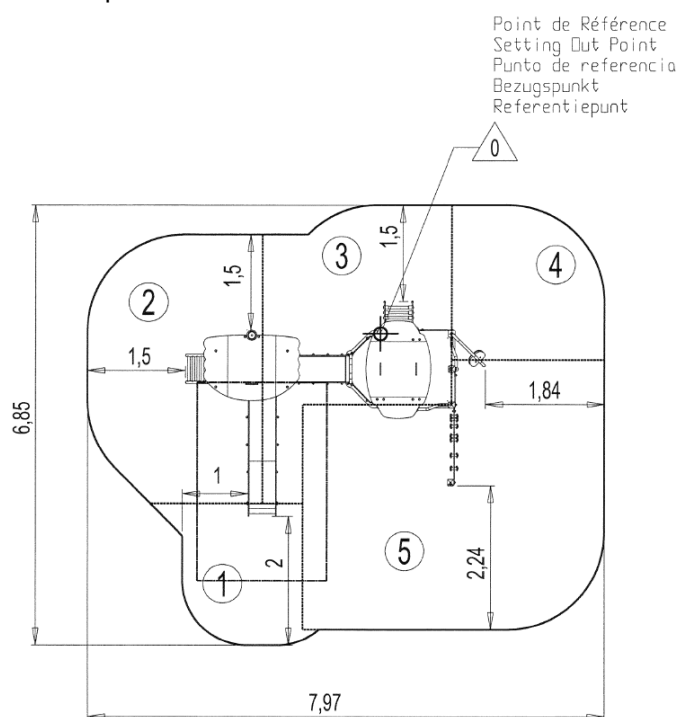


- ① Connecting balcony
- ② Square platform
- ③ Rope ladder H: 1.37m
- ④ Coconut climber
- ⑤ Climbing wall
- ⑥ Themed tower
- ⑦ Garde-corps éléments
- ⑧ Open bridge
- ⑨ Slide
- ⑩ Inclined ladder
- ⑪ Puzzle panel

Installation of equipment

Impact area =

- Impact area
- Free space



1	1m	4m ²
2	1,17m	10,5m ²
3	1,37m	10m ²
4	2m	5,5m ²
5	2,6m	17,5m ²



2



21h00



0.4m³



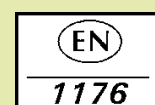
47.5m²



509kg



33kg



Proludic

2015-02-17