



2+



18



1,8m



1 = 4,34m 2 = 2,98m 3 = 2,99m



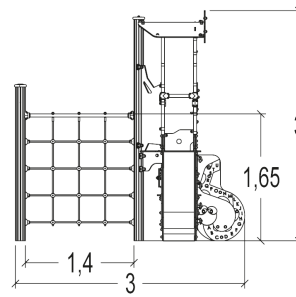
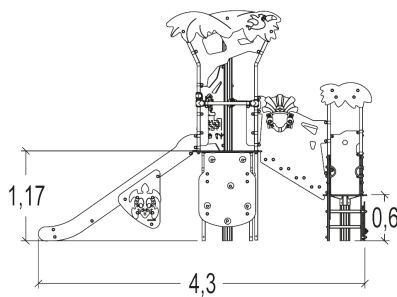
Motor disability



Sensorial disabilities



Learning disabilities



Play value :

18

climbing



x1

role play



x2

sliding



x1

meeting



x2

resting



x1

handling



x2

taking shelter



x1

thinking



x1

tactile stimulation



x2

climbing

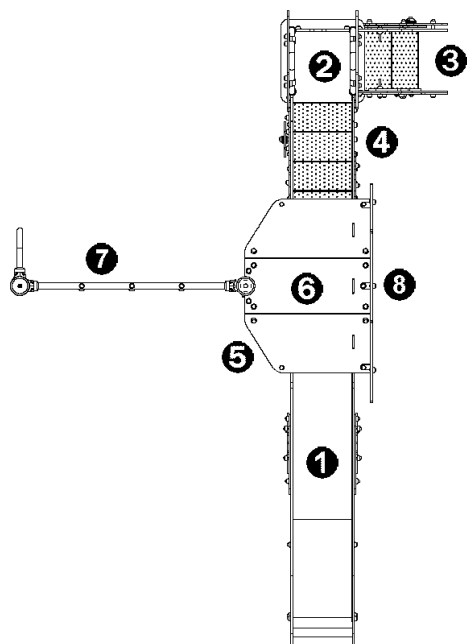


x4

getting across



x1

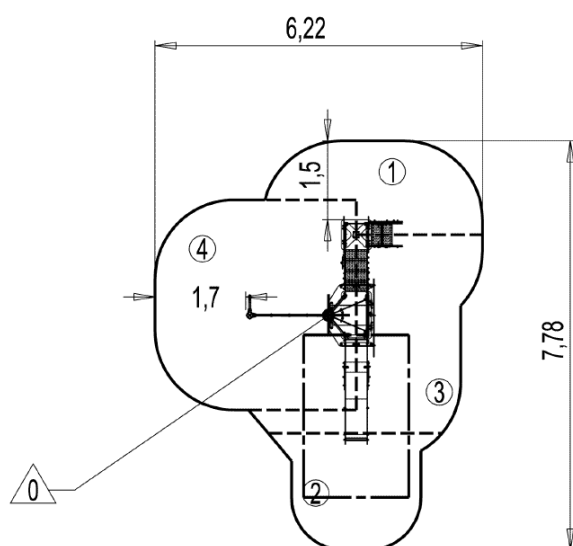


- ① Slide
- ② Themed square platform
- ③ Stairway
- ④ Intermediate staircase
- ⑤ Maze panel
- ⑥ Themed tower
- ⑦ Climbing net
- ⑧ Climbing wall

## Installation of equipment

Impact area =

- Impact area
- Free space



Point de Référence  
Setting Out Point  
Punto de referencia  
Bezugspunkt

1	0,6m	6m <sup>2</sup>
2	1m	5,5m <sup>2</sup>
3	1,17m	8,5m <sup>2</sup>
4	1,8m	13m <sup>2</sup>



2



12h00



0.2m<sup>3</sup>



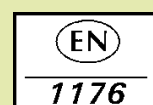
33m<sup>2</sup>



348kg



33kg



*Proludic*

2014-12-19