



2+



30



1,8m



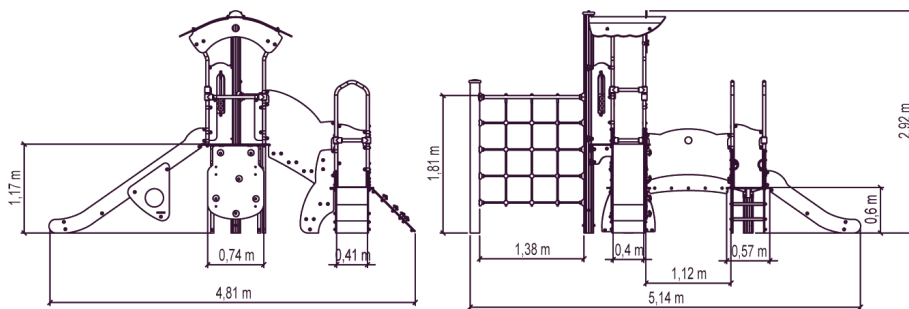
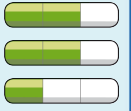
1 = 5,16m 2 = 4,83m 3 = 2,9m



Motor disability

Sensorial disabilities

Learning disabilities



Play value :

15

climbing



x2

sliding



x2

meeting



x2

resting



x1

handling



x1

taking shelter



x1

climbing

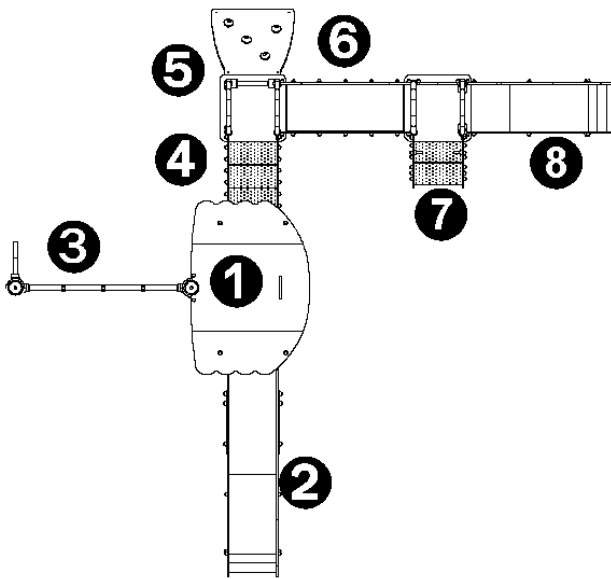


x4

getting across



x2

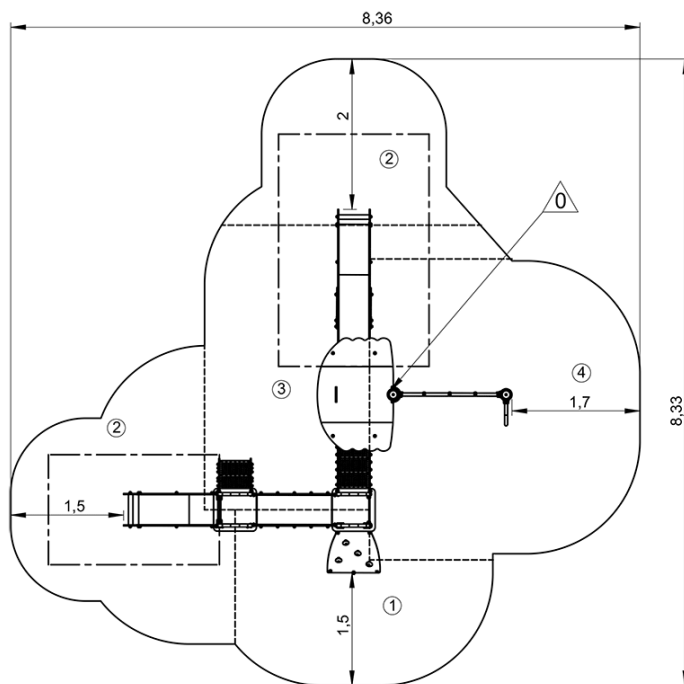


- ❶ Tower HT: 1.17m
- ❷ Slide HT: 1.17m
- ❸ Climbing net
- ❹ Connecting staircase
- ❺ Platform HT: 0.6m
- ❻ Walkway
- ❼ Steps
- ❽ Slide HT: 0.6m
- ❾ Climbing wall
- ❿ Slope
- ⓫ Seat
- ⓬ Counting panel

Installation of equipment

Impact area =

- Impact area
- Free space



1	0,6m	7m ²
2	1m	13m ²
3	1,17m	9m ²
4	1,8m	12,5m ²



2



16h00



0.3m³



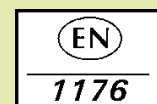
41.5m²



397kg



33kg



2017-01-18