



0.5+

13

1m

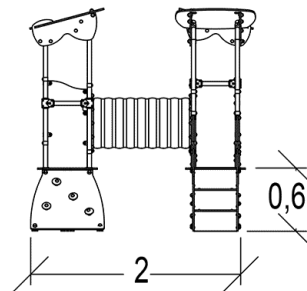
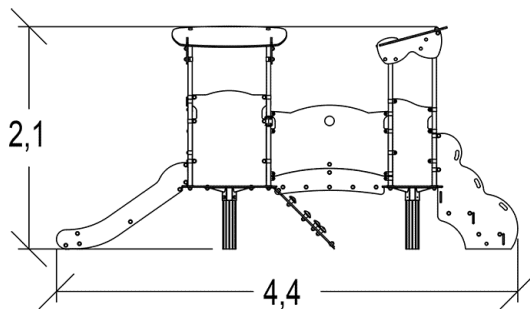
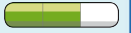
1 = 4,39m 2 = 2,18m 3 = 2,12m



Motor disability

Sensorial disabilities

Learning disabilities



Play value :

10

climbing



x1

sliding



x1

meeting



x1

crawling



x1

hiding



x1

taking shelter



x2

climbing

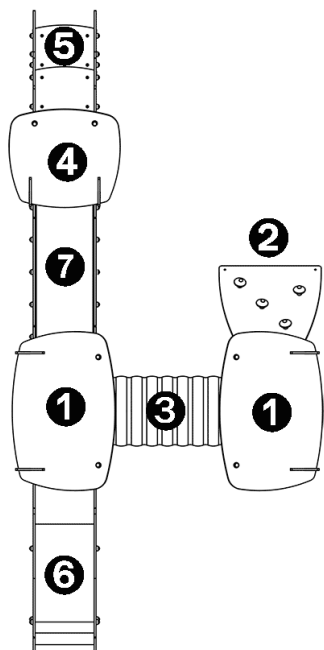


x1

getting across



x2

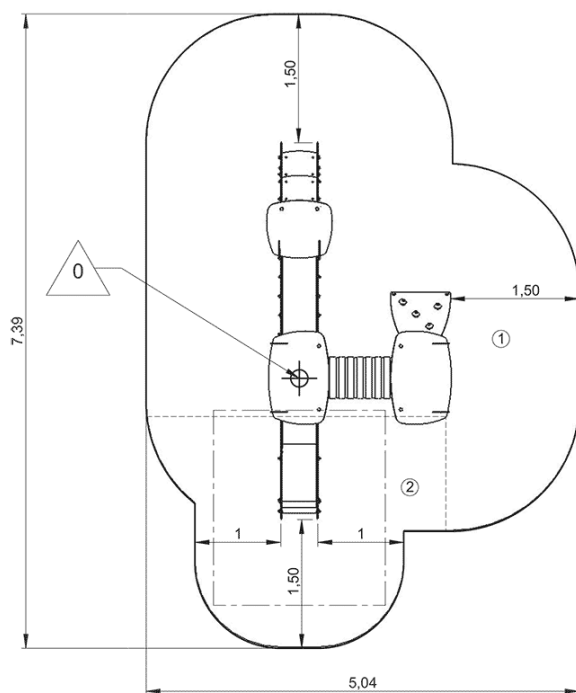


- ① Platform HT: 0.6m
- ② Slope
- ③ TUNNEL DIABOLO PETITE ENFANCE
- ④ PF SANS TOIT HCL 600
- ⑤ ESCALIER DIABOLO PETITE ENFANCE
- ⑥ Slide HT: 0.6m
- ⑦ Walkway

## Installation of equipment

Impact area =

- Impact area
- Free space



1	0,6m	21,5m <sup>2</sup>
2	1m	7,5m <sup>2</sup>



2



08h00



0.24m<sup>3</sup>



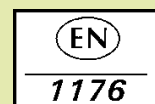
29m<sup>2</sup>



301kg



12kg



*Proludic*

0000-00-00