



2+



4



1,5m



1 = 3,07m 2 = 3,93m 3 = 3,01m



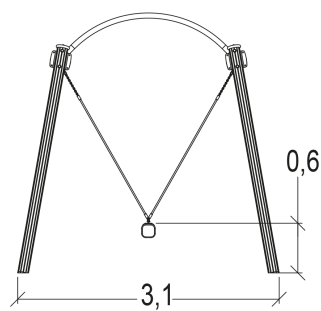
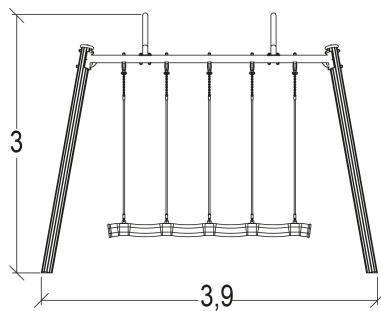
Motor disability



Sensorial disabilities



Learning disabilities



Play value :

3

swinging

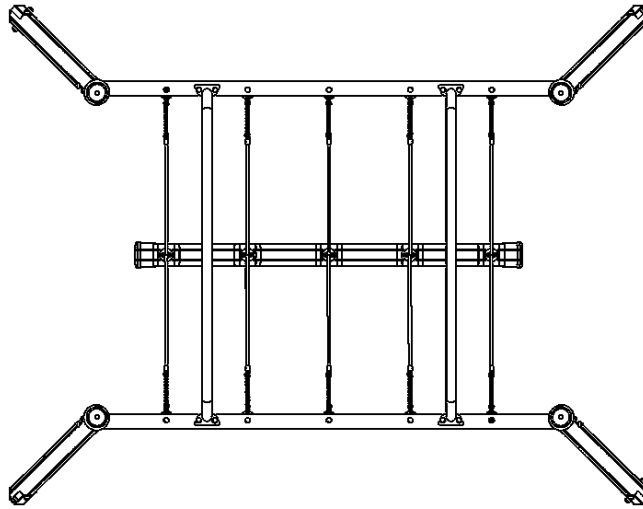


meeting



balancing





Installation of equipment

Impact area =

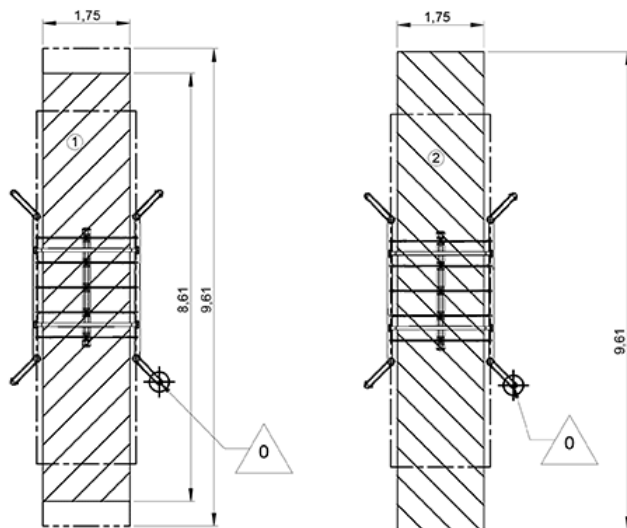
- Impact area
- Free space

Zone d'Impact Sol souple
Impact Area Wetpour
Area de Impacto
Fallraum bei synthetischem Fallschutz

Zone d'Impact Sol fluent
Impact Area Loose particle material
Arenero
Fallraum bei losem Bodenmaterial



1	1,5m	15,5m ²
2	1,5m	17m ²



2

03h00

0.3m³

15.5m²

169kg

18kg

EN

1176

0000-00-00