



4+



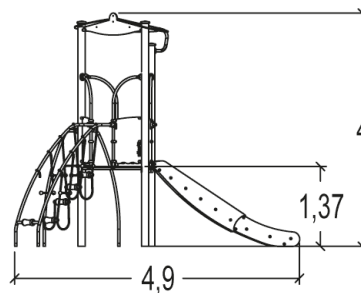
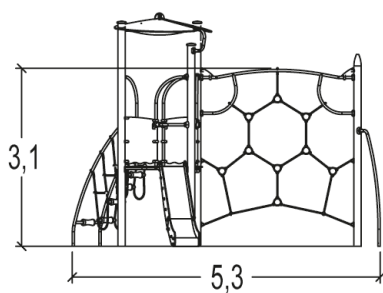
12



3m



1 = 5,3m 2 = 4,9m 3 = 4m



Play value : 7

sliding



x1

meeting



x1

balancing



x1

taking shelter



x1

climbing

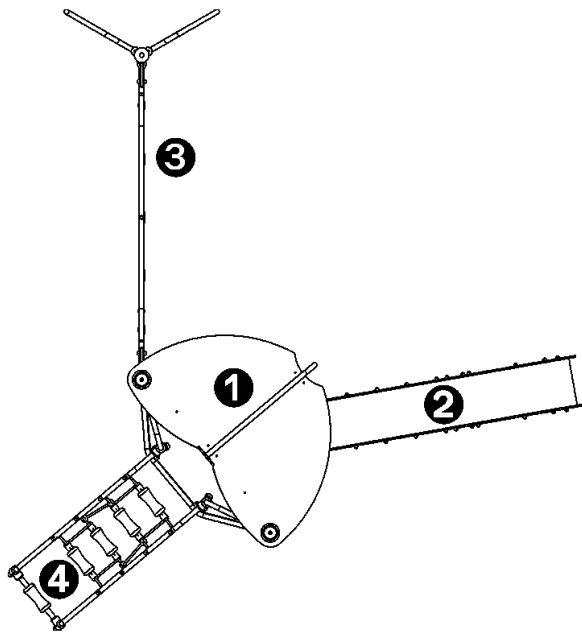


x2

getting across



x1

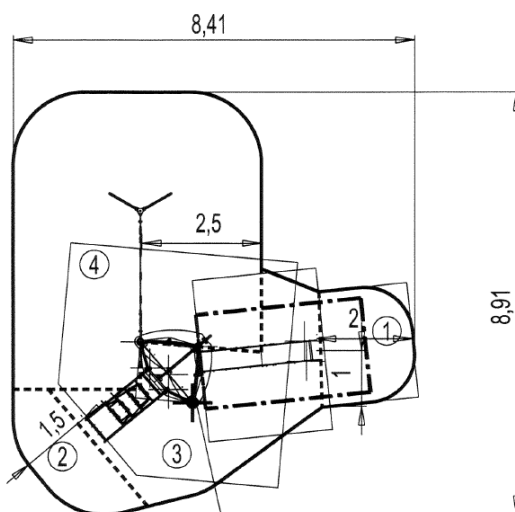


- ① Compact platform - 3 posts HT: 1.37m
- ② Star net
- ③ Stainless steel slide HT: 1.37m
- ④ Swinging steps HT: 1.37m

Installation of equipment

Impact area =

- Impact area
- Free space



Point de Référence
Setting Out Point
Punto de referencia
Bezugspunkt
Referentiepunt

1	1m	6,5m ²
2	1,2m	4m ²
3	1,37m	12m ²
4	3m	29,5m ²



2



09h00



0.4m³



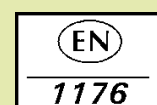
52m²



390kg



34kg



2007-10-14