



3+



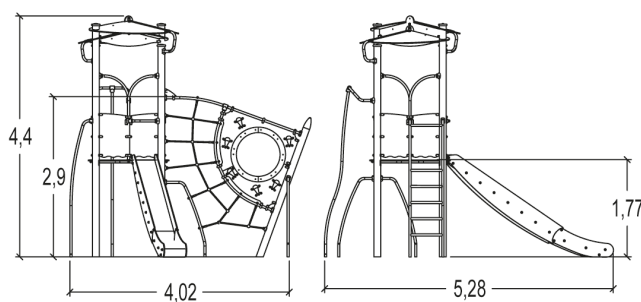
15



2,9m



1 = 4,02m 2 = 5,28m 3 = 4,4m



Play value : 7

climbing



x1

sliding



x2

meeting



x1

taking shelter

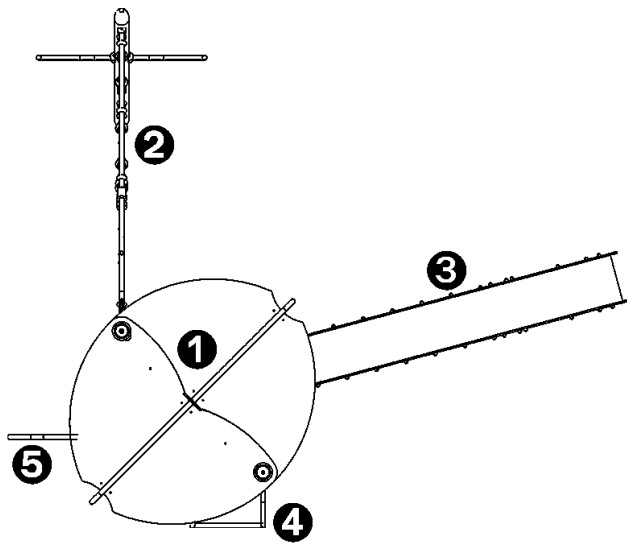


x1

climbing



x2

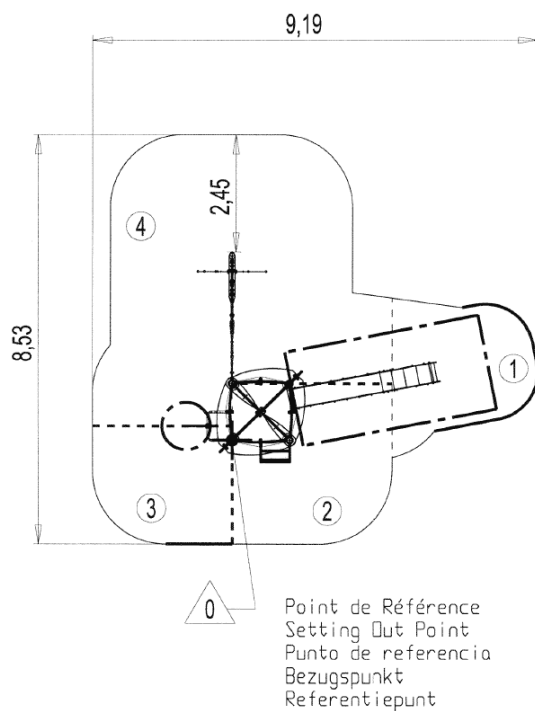


- ① Compact platform - 4 posts HT: 1.77m
- ② Fish Wall
- ③ Stainless steel slide HT: 1.77m
- ④ Flexible ladder HT: 1.77m
- ⑤ Sliding pole HT: 1.77m

Installation of equipment

Impact area =

- Impact area
- Free space



1	1m	7,5m ²
2	1,77m	11m ²
3	2,1m	7m ²
4	2,9m	29,5m ²



2



10h30



0.5m³



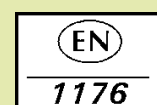
55m²



528kg



35kg



2013-01-04