



3+



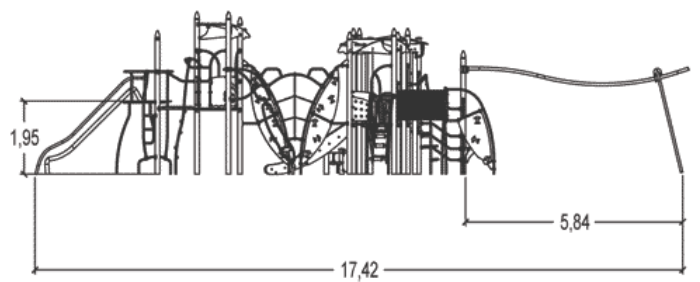
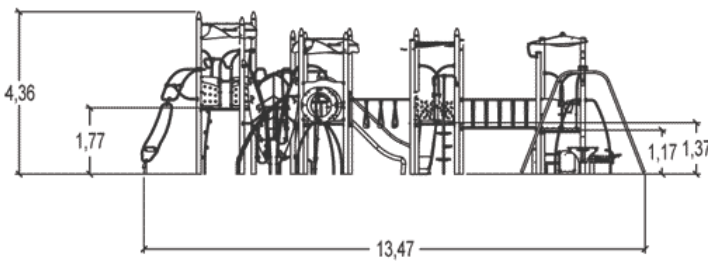
45



2,9m



1 = 17,42m 2 = 13,47m 3 = 4,36m



Play value :

35

climbing



x1

role play



x1

sliding



x2

meeting



x5

resting



x2

handling



x1

hanging



x1

crawling



x1

swinging



x1

hiding



x1

balancing



x3

rotating



x1

taking shelter



x3

climbing

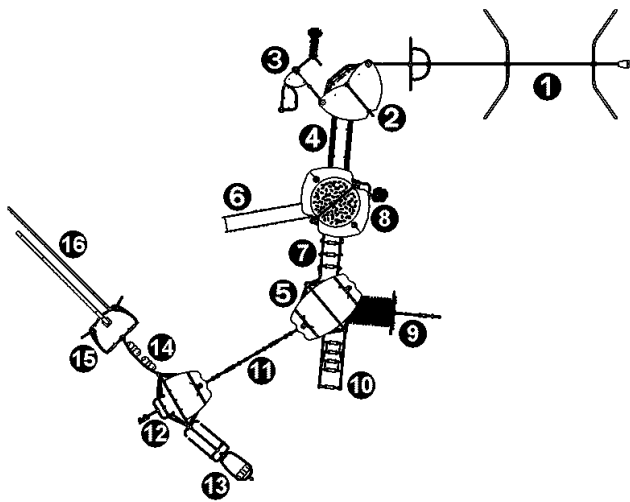


x7

getting across



x5

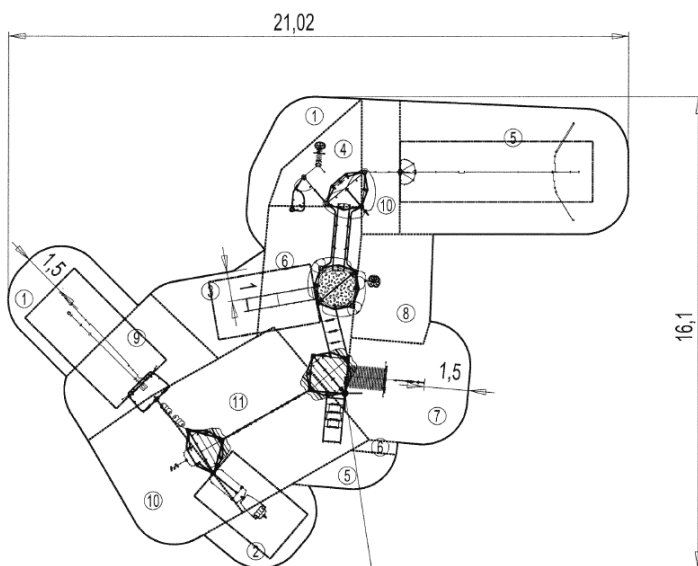


- ① Cableway
- ② Compact platform - 3 posts HT: 1.17m
- ③ Seat and table
- ④ Straight walkway
- ⑤ Stainless steel Platform - 4 posts HT: 1.37m
- ⑥ Stainless steel slide HT: 1.37m
- ⑦ Uneven walkway
- ⑧ Aluminium platform - 4 posts HT: 1.37m
- ⑨ Corkscrew Tunnel HT: 1.37 / 1.77m
- ⑩ Swinging steps HT: 1.37m
- ⑪ Butterfly wall
- ⑫ Stainless steel Platform - 3 posts HT: 1.77m
- ⑬ Gyro
- ⑭ Übergang
- ⑮ Balcony HT: 1,95m
- ⑯ Turbo slide HT: 1,95m

Installation of equipment

Impact area =

- Impact area
- Free space



① Point de Référence
Setting Out Point
Punto de referencia
Bezugspunkt



1	<0,6m	18,5m ²
2	0,7m	7m ²
3	1m	8,5m ²
4	1,17m	7m ²
5	1m	36m ²
6	1,37m	18m ²
7	1,5m	14,5m ²
8	1,7m	9,5m ²
9	1,95m	12,5m ²
10	2,1m	20m ²
11	2,9m	24m ²



4



43h00



1.8m³



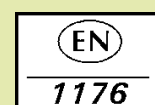
175.5m²



1800kg



57kg



Proludic

2013-01-04