



3+



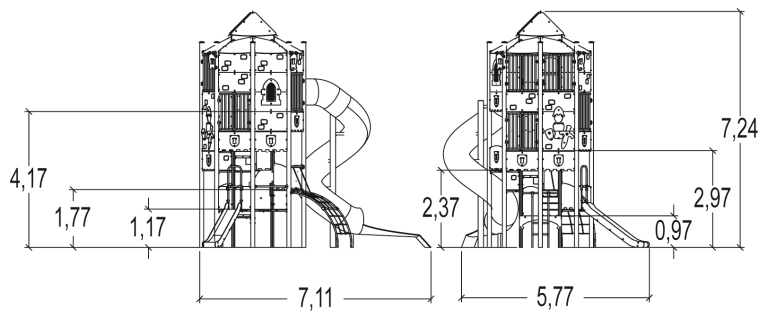
25



2,37m



1 = 7,2m 2 = 7m 3 = 7,2m



Play value : 9

role play



x1

sliding



x2

meeting



x1

handling



x1

hiding



x1

taking shelter

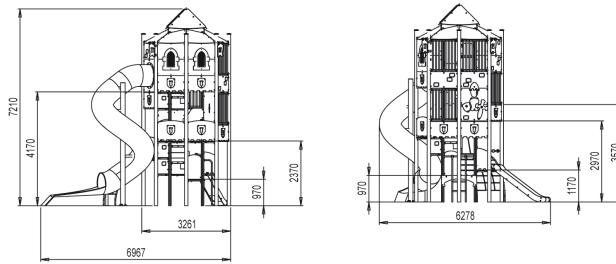


x1

climbing



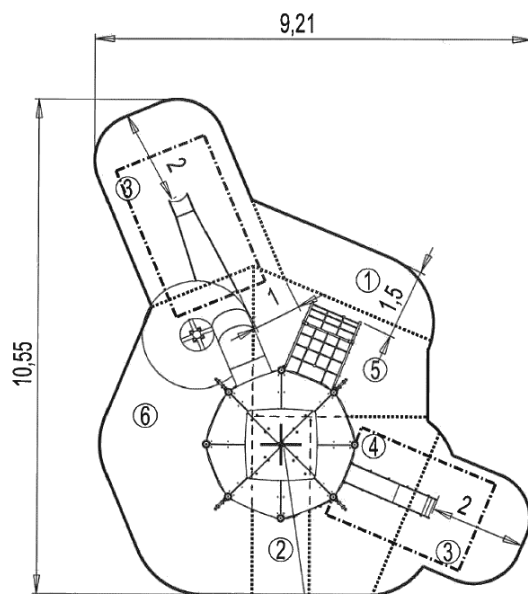
x2





Installation of equipment

Impact area =

— Impact area
- - - Free space



Point de Référence
Setting Out Point
Punto de referencia
Bezugspunkt

		
1	0,6m	5m ²
2	0,97m	5m ²
3	1m	17,5m ²
4	1,17m	8,5m ²
5	1,77m	9m ²
6	2,37m	17,5m ²



4



00h00



3.4m³



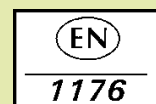
62.5m²



2742kg



600kg



Proludic

2010-02-04