



3+



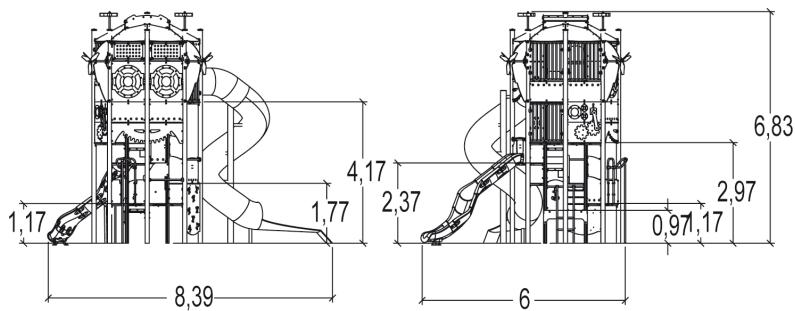
25



2,37m



1 = 6,1m 2 = 8,3m 3 = 6,8m



Play value :

11

climbing



x1

role play



x1

sliding



x3

meeting



x1

handling



x1

hiding



x1

taking shelter



x1

visual stimulation

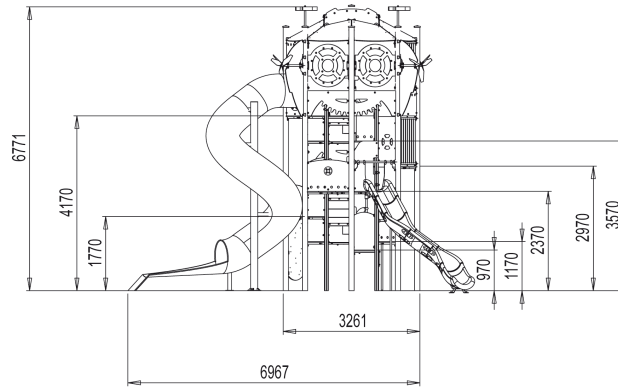


x1

climbing



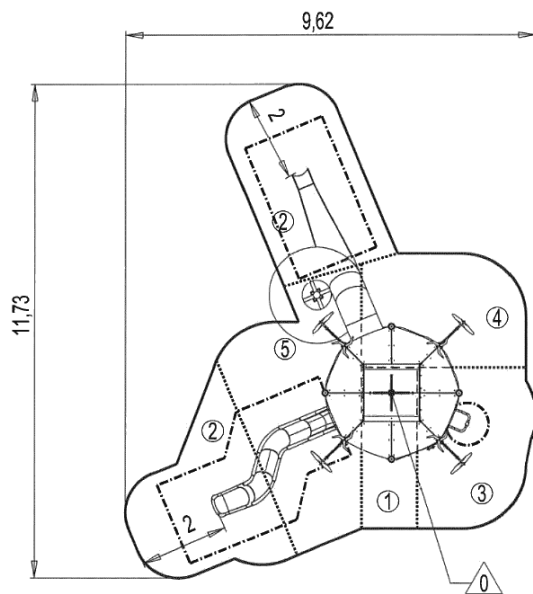
x1



Installation of equipment

Impact area =

-  Impact area
-  Free space



Point de Référence
Setting Out Point
Punto de referencia
Bezugspunkt



| | | |
|---|-------|-------------------|
| 1 | 0,97m | 5m ² |
| 2 | 1m | 23m ² |
| 3 | 1,17m | 9,5m ² |
| 4 | 1,77m | 10m ² |
| 5 | 2,37m | 16m ² |



4



99h00



2.7m³



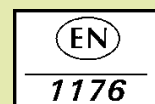
63.5m²



2857kg



600kg



Proludic

2010-02-04