



2+



5



1,55m



1 = 3,2m 2 = 1,3m 3 = 2,6m



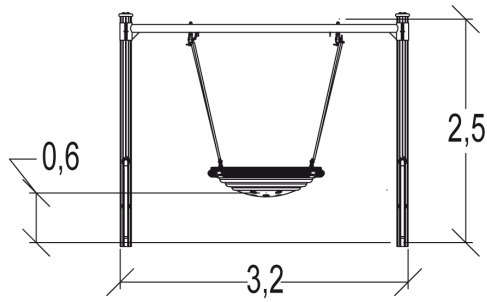
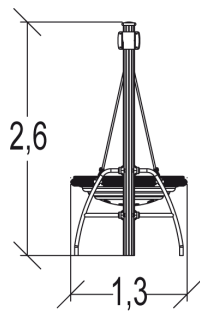
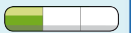
Motor disability



Sensorial disabilities



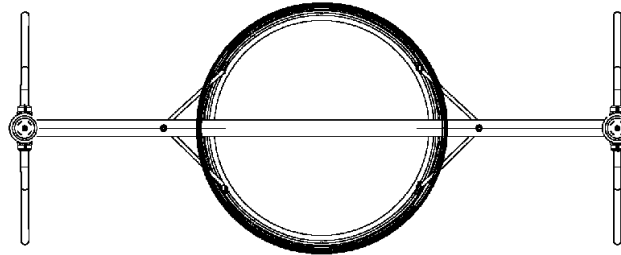
Learning disabilities



Play value : 1

swinging





Installation of equipment

Impact area =



Impact area

Free space

Zone d'Impact Sol souple
Impact Area Wetpour
Area de Impacto

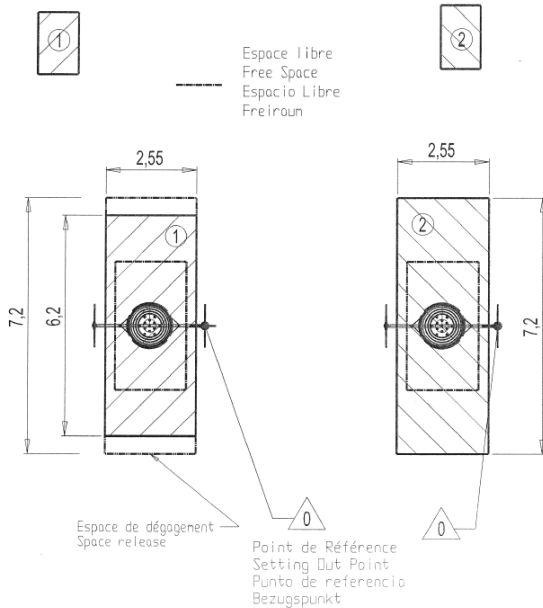
Fallraum bei synthetischen Fallschutz



Zone d'Impact Sol fluent

Impact Area Loose particle material

Arenero

Fallraum bei losen Bodenmaterial



		
1	1,55m	16m ²
2	1,55m	18,5m ²



0



00h00



0m³



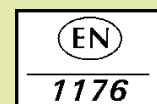
16m²



163kg



33kg



Proludic

0000-00-00