



2+



6



1,65m



1 = 6,3m 2 = 1,2m 3 = 2,6m



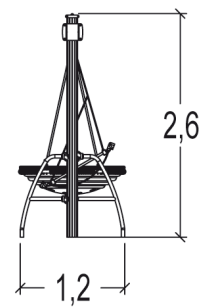
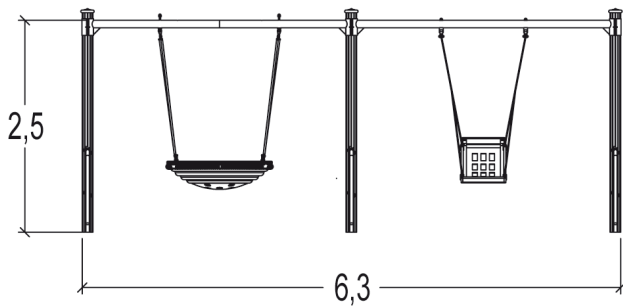
Motor disability



Sensorial disabilities



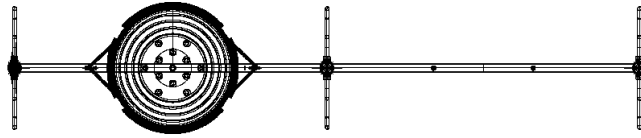
Learning disabilities



Play value : 1

swinging





Installation of equipment

Impact area =

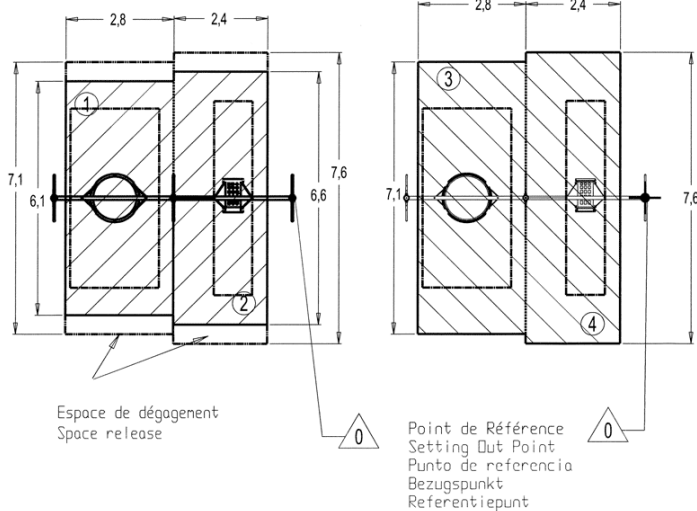
 Impact area
 Free space



Zone d'Impact Sol souple
 Impact Area Wetpour
 Area de Impacto
 Fallraum bei synthetischen Fallschutz



Zone d'Impact Sol fluent
 Impact Area Loose particle material
 Arenero
 Fallraum bei losen Bodenmaterial



1	1,55m	17,5m ²
2	1,65m	16m ²
3	1,55m	20m ²
4	1,65m	18,5m ²



2



03h00



1m³



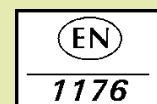
33.5m²



246kg



33kg



Proludic

2015-08-05