



2+



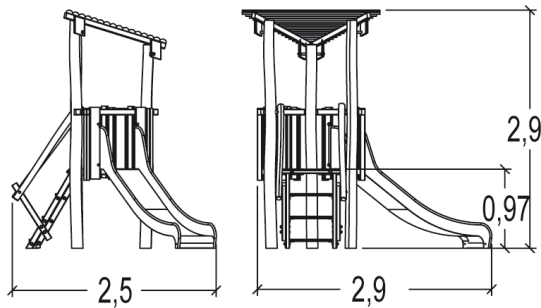
8



1m



1 = 2,9m 2 = 2,5m 3 = 2,9m



Play value : 4

sliding



x1

meeting



x1

taking shelter

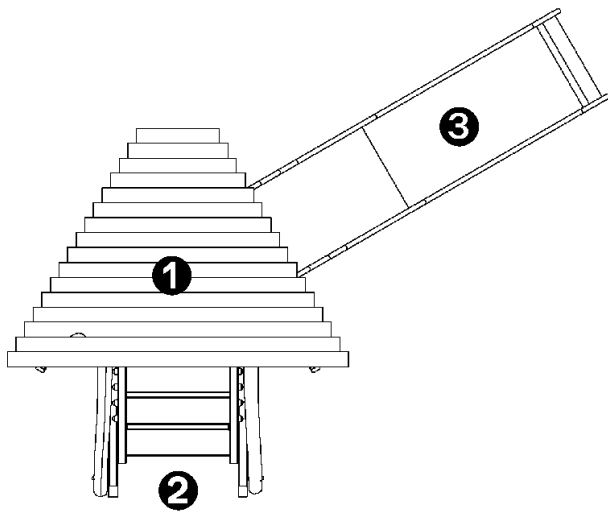


x1

climbing



x1

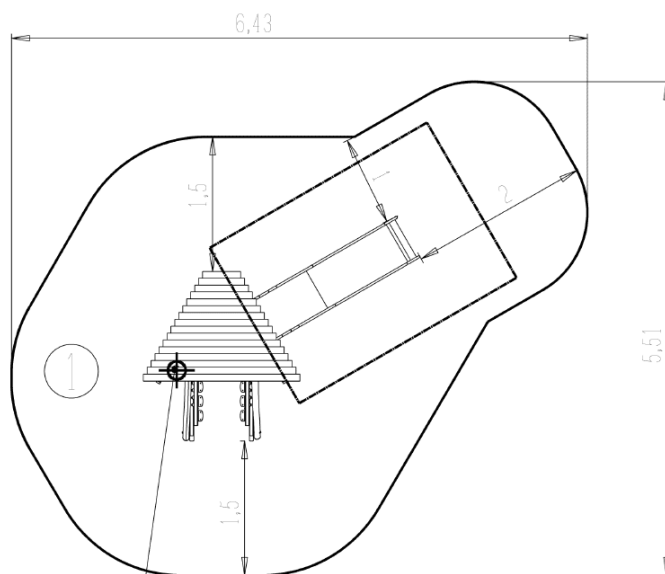


- ① Platform Ht: 0.97m
- ② Stairs
- ③ Slide Ht: 0.97m



Installation of equipment

Impact area =

-  Impact area
-  Free space



Point de Référence
Setting Out Point
Punto de referencia
Bezugspunkt
Referentiepunt

		
1	1m	24m ²



2



08h00



0m³



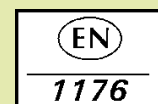
24m²



309kg



42kg



Proludic

2013-06-03