



3+



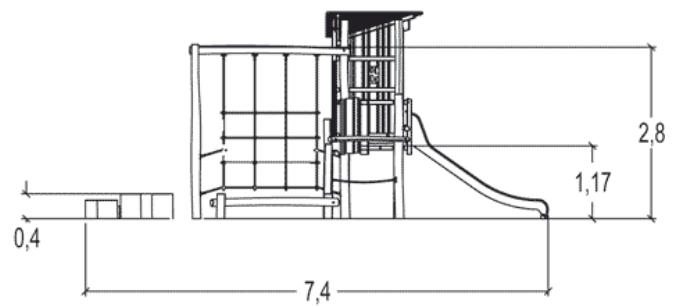
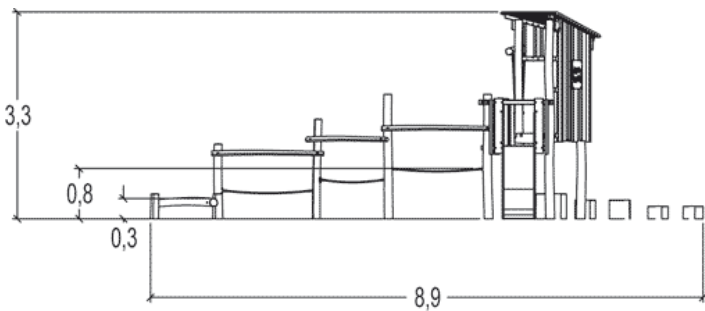
17



1,7m



1 = 7,75m 2 = 8,88m 3 = 3,32m



Play value : 14

role play



x2

sliding



x1

meeting



x2

balancing



x3

taking shelter



x1

climbing

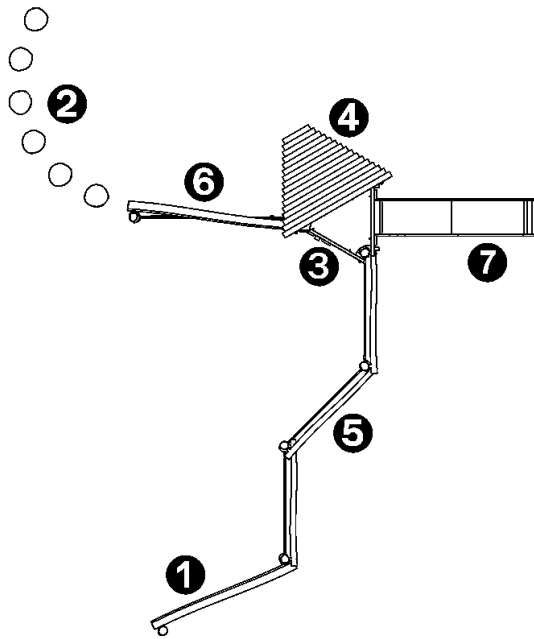


x1

getting across



x4

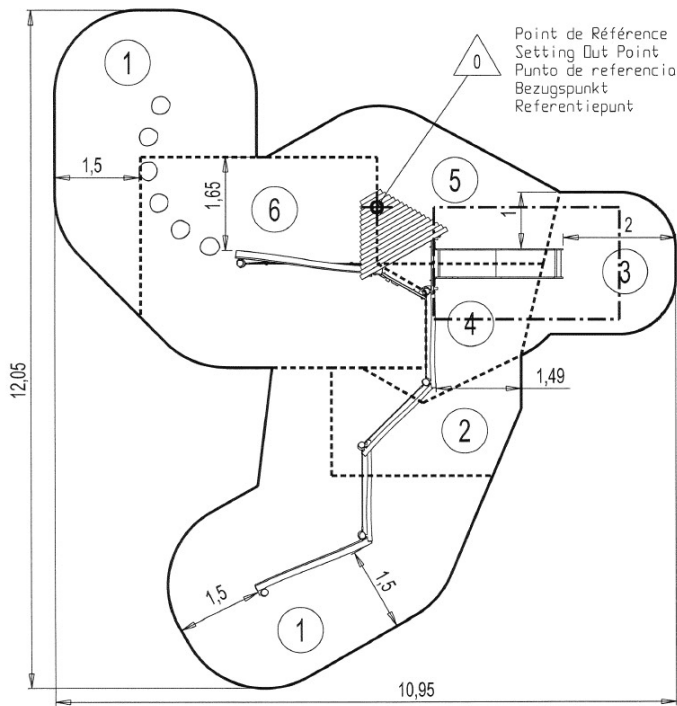


- 1 Balance Beam
- 2 Japanese steps
- 3 Roof
- 4 Platform Ht: 1.37m
- 5 Rope walkway
- 6 Vertical net
- 7 Slide Ht: 1.17m

## Installation of equipment

Impact area =

- Impact area
- Free space



1	0,6m	29m <sup>2</sup>
2	0,86m	5,5m <sup>2</sup>
3	1m	5,6m <sup>2</sup>
4	1,17m	4,5m <sup>2</sup>
5	1,37m	8m <sup>2</sup>
6	1,7m	16,5m <sup>2</sup>

2

09h50

0.39m<sup>3</sup>

69.5m<sup>2</sup>

1064kg

400kg

2014-07-29