



5+



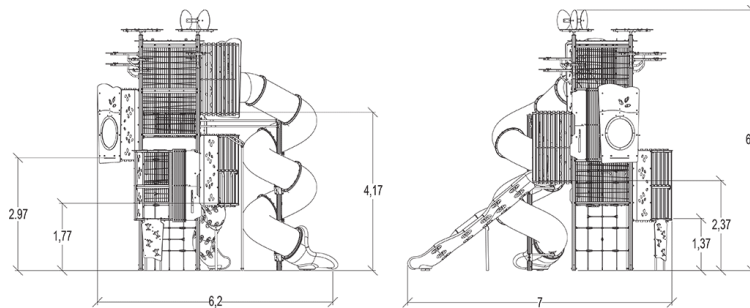
25



2,56m



1 = 6,98m 2 = 6,33m 3 = 6,86m



Play value :

12

climbing



x1

role play



x1

sliding



x3

meeting



x1

resting



x1

hiding



x1

balancing



x1

taking shelter



x1

visual stimulation

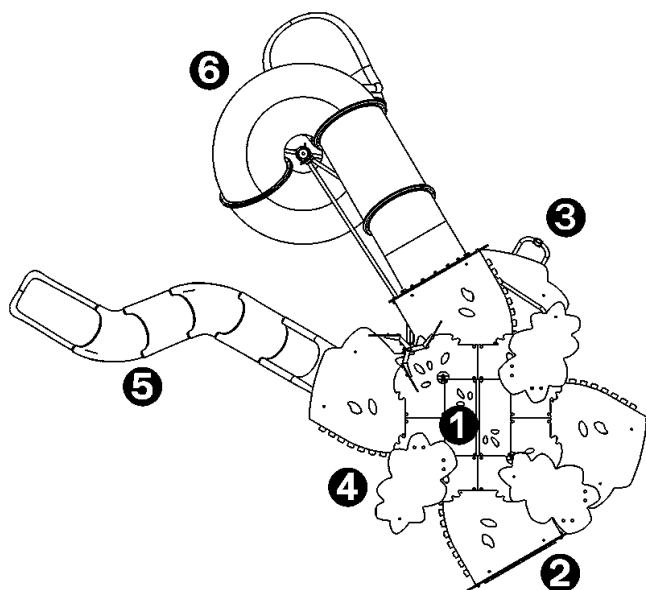


x1

climbing



x1

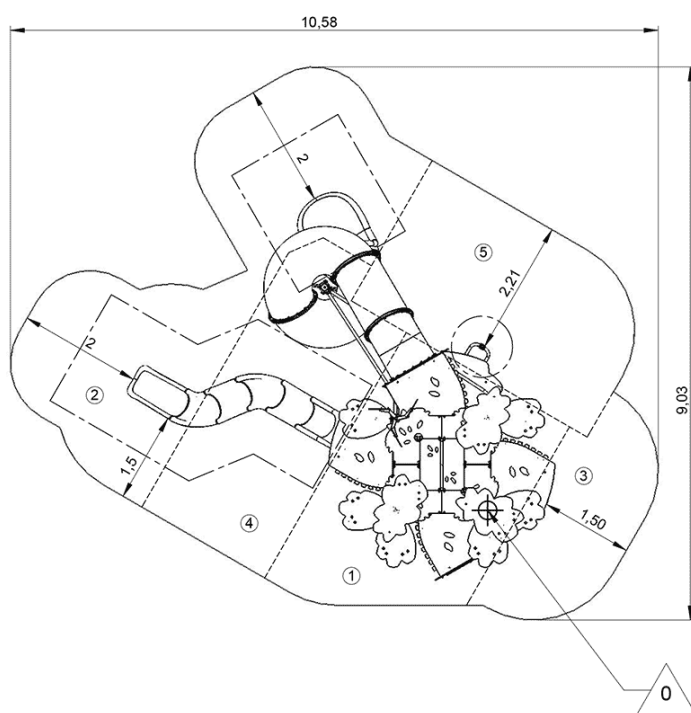


- ① Tower 6m / 5 platforms
- ② Climbing wall Ht: 1.37m
- ③ Fireman's pole
- ④ Play porthole
- ⑤ Slide Ht : 2.37m
- ⑥ Polyethylene slide Ht : 4.17m

Installation of equipment

Impact area =

- Impact area
- Free space



1	0,6m	13,5m ²
2	1m	18,5m ²
3	1,37m	6,5m ²
4	2,37m	11,5m ²
5	2,56m	11,5m ²



3



32h00



1.2m³



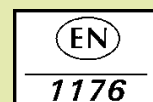
61.5m²



2249kg



72kg



Proludic

0000-00-00