



3+



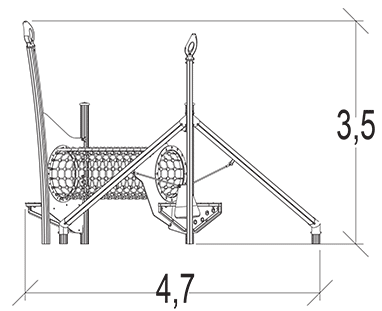
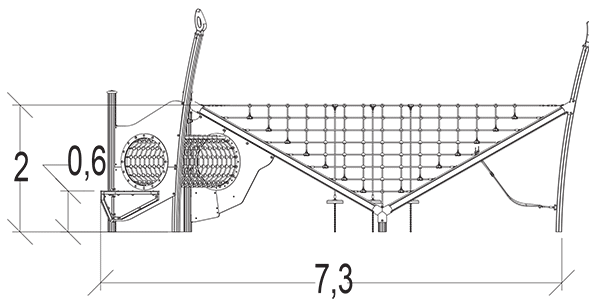
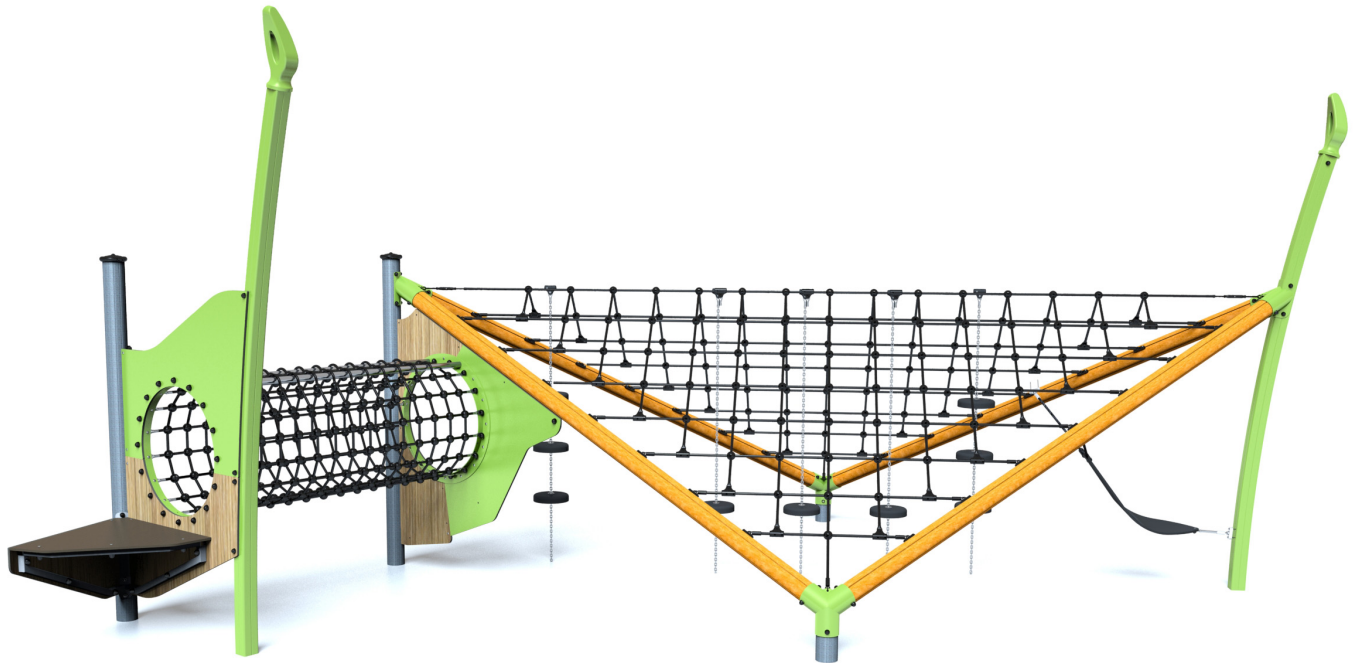
22



2m



1 = 7,83m 2 = 4,64m 3 = 3,53m



Play value : 14

climbing



x1

meeting



x3

resting



x3

handling



x1

crawling



x1

climbing

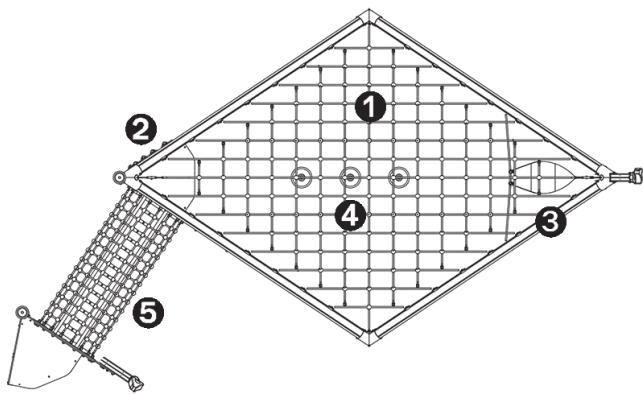


x2

getting across



x3

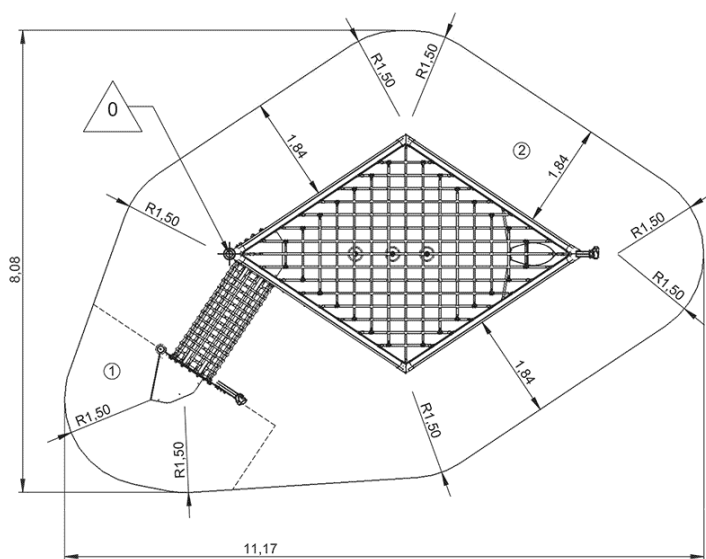


- 1 Net
- 2 Play panel access
- 3 Hammock
- 4 Suspended seat
- 5 Net Tunnel

Installation of equipment

Impact area =

- Impact area
- Free space



| 1 | 0,65m | 7,5m ² |
|---|-------|--------------------|
| 2 | 2m | 54,5m ² |



2



11h30



0.9m³



62m²



592kg



38kg



0000-00-00