



2+



1



0,6m



1 = 0,9m 2 = 0,5m 3 = 0,85m



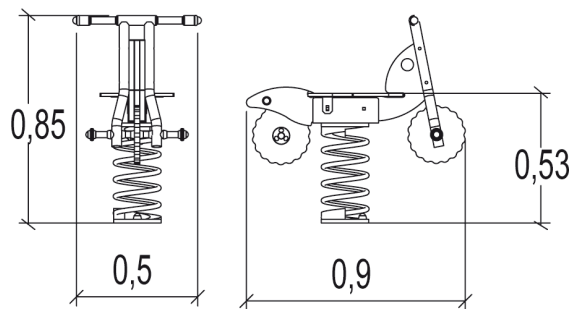
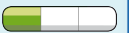
Motor disability



Sensorial disabilities



Learning disabilities



Play value :

3

swinging

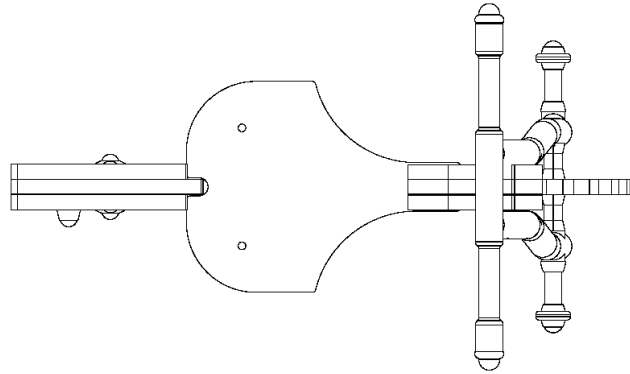


balancing



meeting / role play

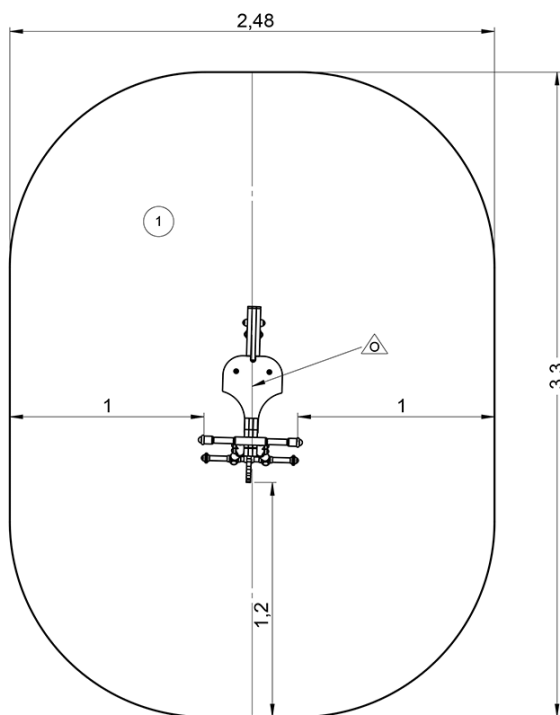






Installation of equipment

Impact area =

 Impact area
 Free space



		
1	0,6m	7,5m ²



1



01h15



0m³



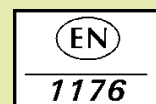
7.5m²



30kg

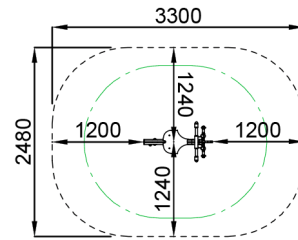


10kg

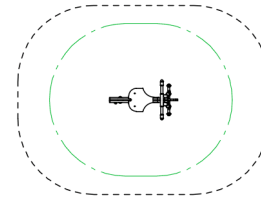


Proludic

2003-10-16



J835
AS4685:2014



J835
AS4685:2014

----- Free Space
 ----- Impact Area AS4685.1-6:2014



IMPACT AREA:
 Minimum safety surfacing required
 according to AS4685.1-6:2014

EQUIPMENT: SPRINGERS-BIKY J835 - AS 4685.1-6:2014

DESCRIPTION: Equipment Plan

DATE CREATED: 07-05-2015

DRAWN BY: MOS

IMPACT AREA PERIMETER: 9.9m

IMPACT AREA: 7.3m²

MAXIMUM FREE HEIGHT OF FALL: 0.53m



16-18 Tepko Rd.
 Terrey Hills NSW 2084
 (02) 9485 8700
www.proludic.com.au