



2+



6



0,6m



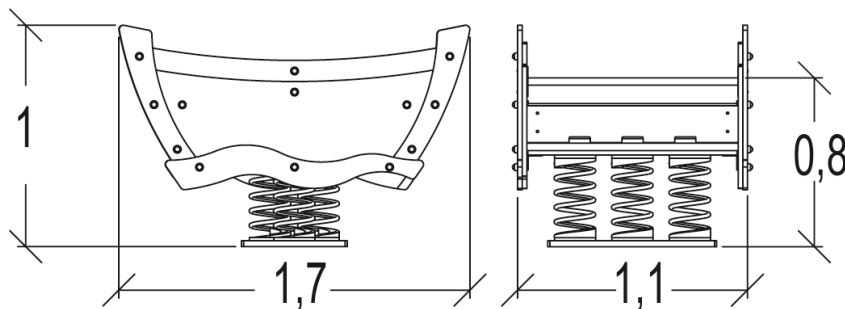
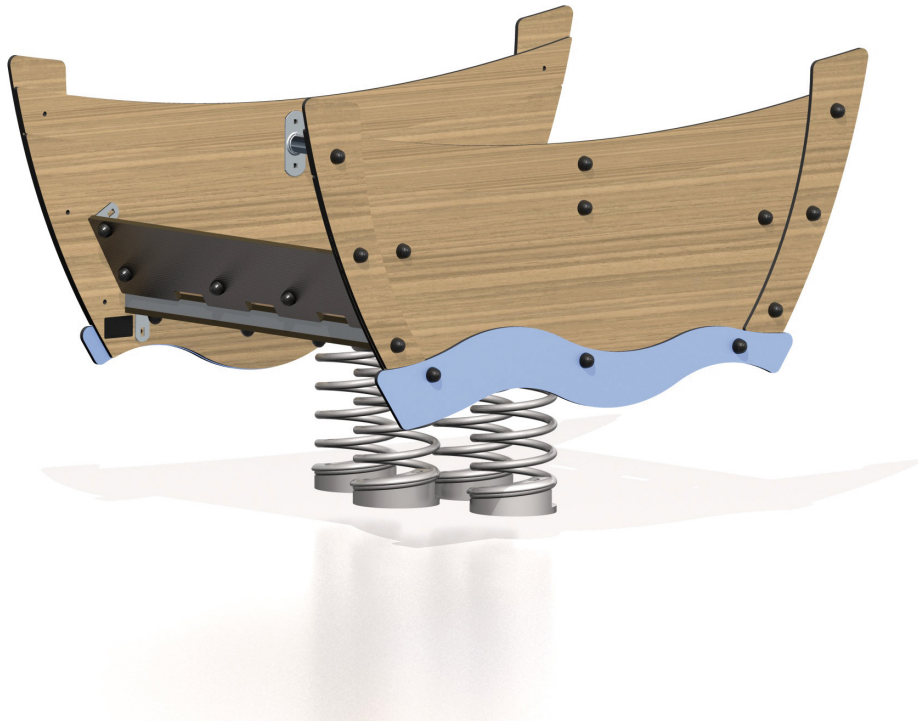
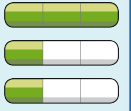
1 = 1,7m 2 = 1,1m 3 = 1m



Motor disability

Sensorial disabilities

Learning disabilities



Play value : 3

swinging

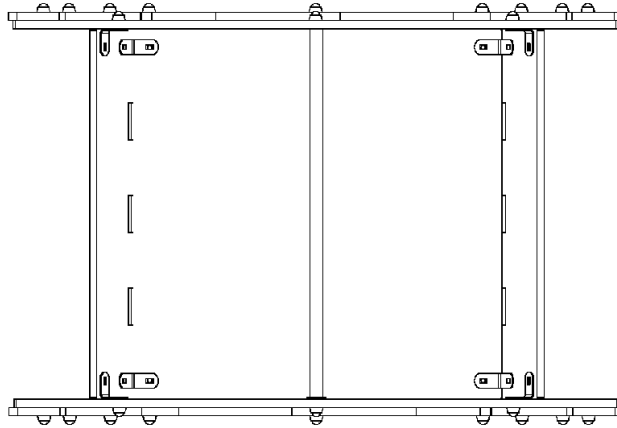


balancing



meeting / role play

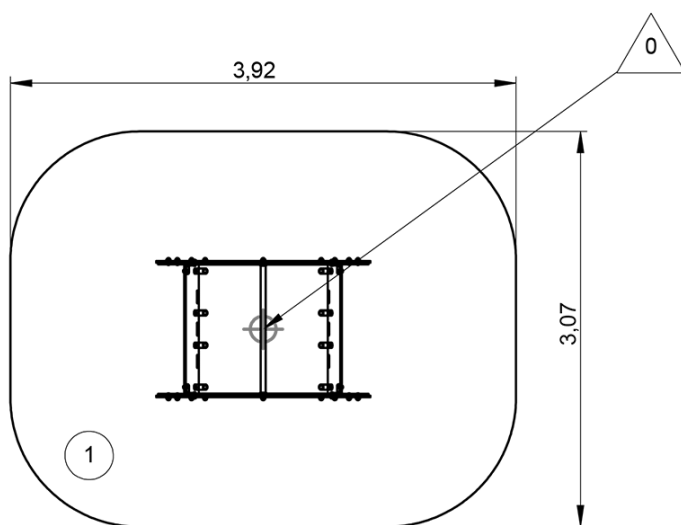






## Installation of equipment

Impact area =

-  Impact area
-  Free space



		
1	0,6m	11,5m <sup>2</sup>



2



03h45



0m<sup>3</sup>



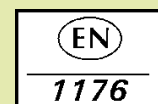
11.5m<sup>2</sup>



155kg



104kg



*Proludic*

2014-12-10