



2-8



1



0,6m



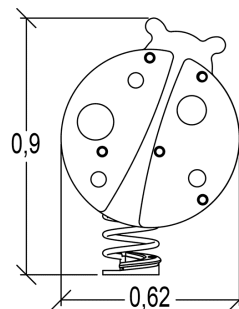
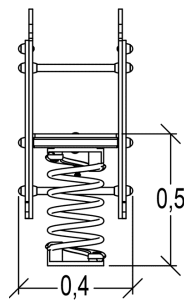
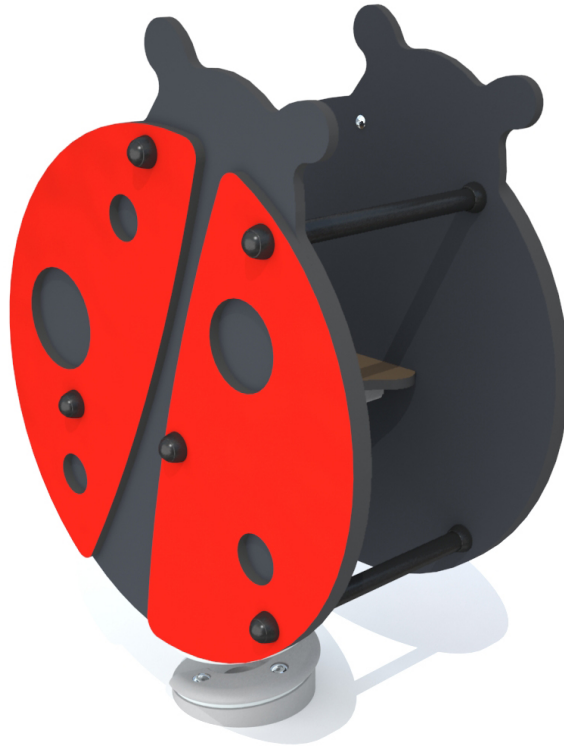
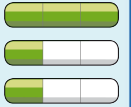
1 = 0,8m 2 = 0,4m 3 = 0,6m



Motor disability

Sensorial disabilities

Learning disabilities



Play value :

3

balancing

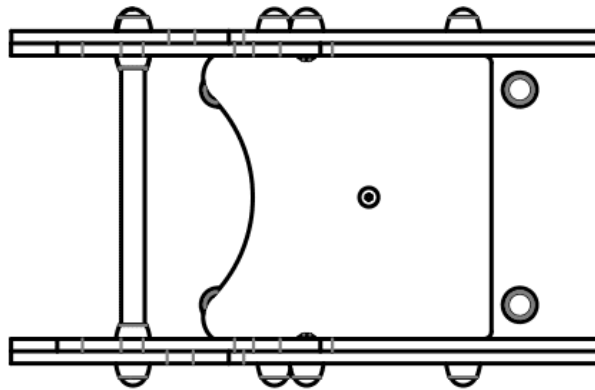


swinging



meeting

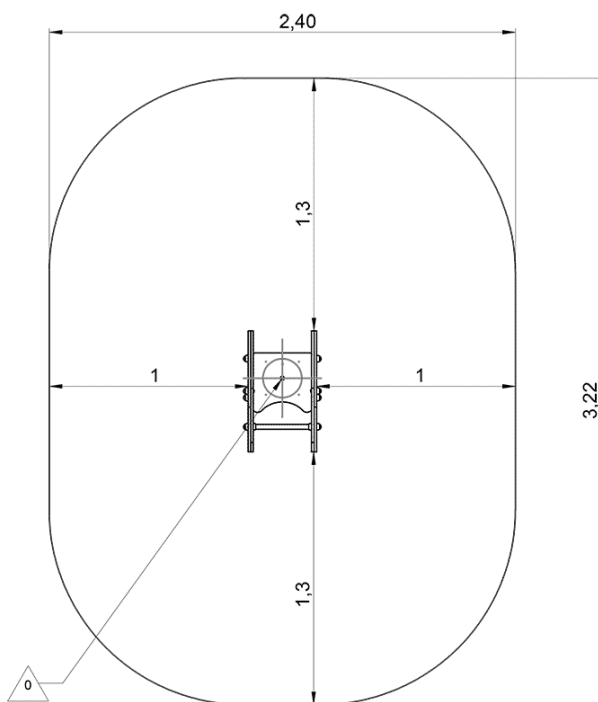






## Installation of equipment

Impact area =

-  Impact area
-  Free space



|   |   |   |
|---|---|---|
|   |  |  |
| 1 | 0,6m  | 7,5m <sup>2</sup>   |



1



01h00



0m<sup>3</sup>



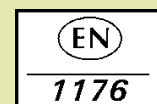
7m<sup>2</sup>



45kg



11kg



*Proludic*

0000-00-00