



3+



1



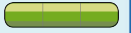
1m



1 = 1,5m 2 = 1,5m 3 = 0,03m



Motor disability



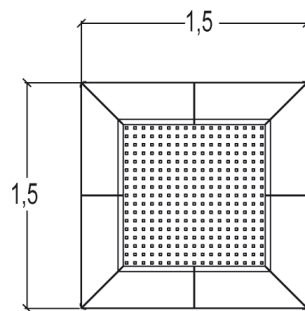
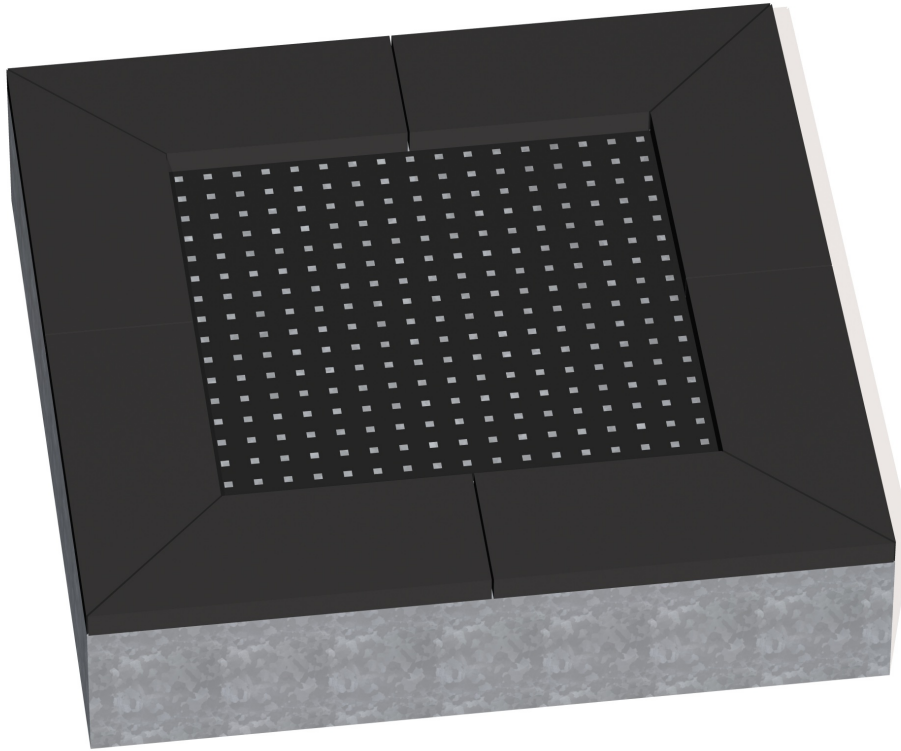
Sensorial disabilities



Learning disabilities



The space above the trampoline must be free from any obstacle up to a height of 3.50 metres, measured from the bounce surface.



Play value :

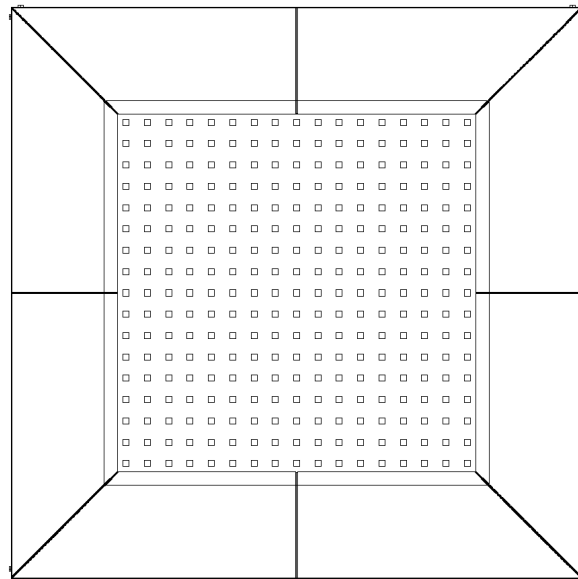
2

balancing



meeting

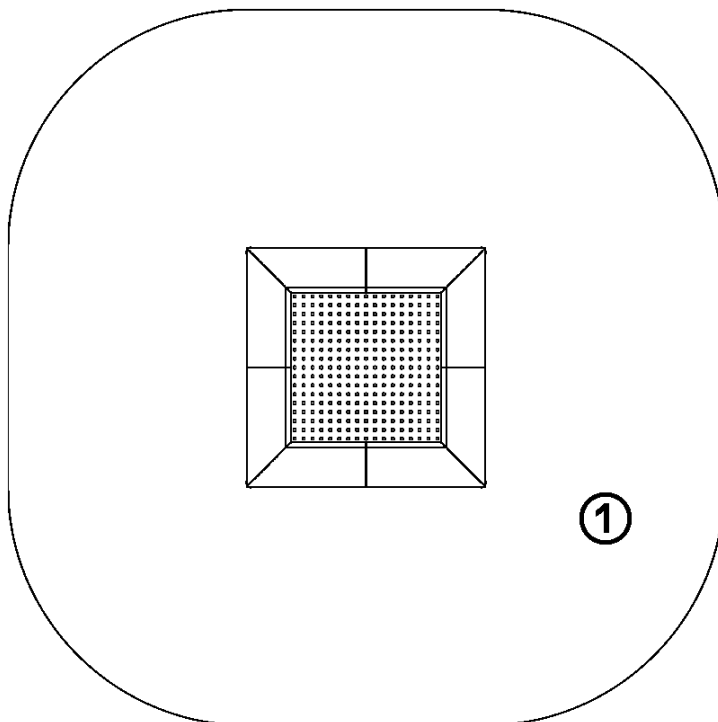






Installation of equipment

Impact area =

-  Impact area
-  Free space



		
1	1m	11,5m ²

