

# Hydraulic arm curl

R37-UBX-255B



14+



1



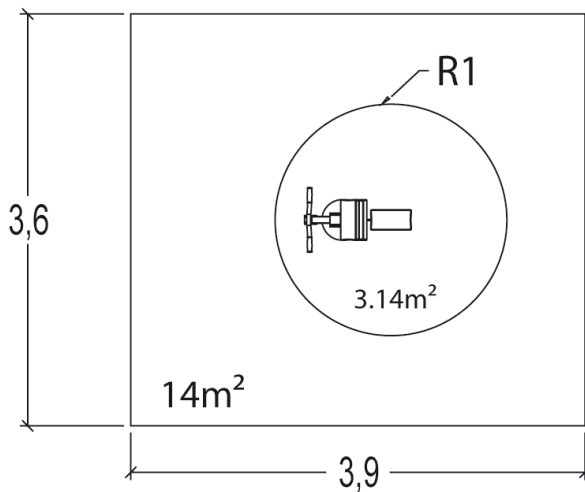
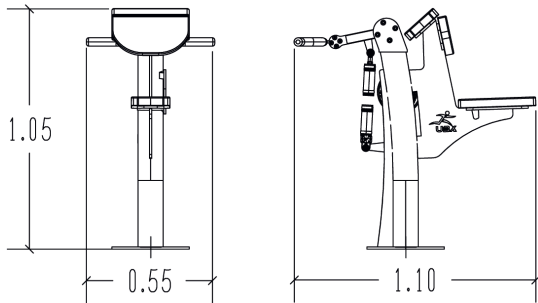
0,69m



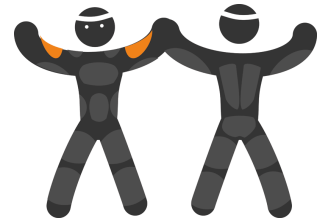
1 = 0,92m 2 = 0,55m 3 = 1,05m



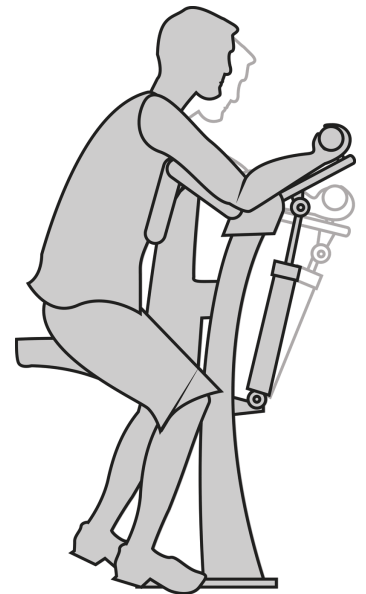
User controlled hydraulic piston



## MUSCULAR STIMULATION



## MOVEMENTS



## CERTIFICATIONS

