


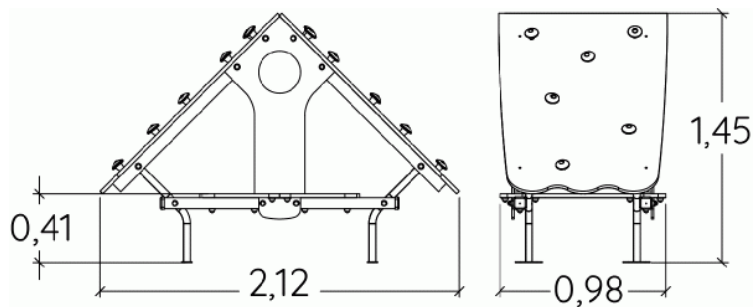
 **2+**  
 **14**  
 **1,5m**


  
 1 = 2,12m  
 2 = 0,98m  
 3 = 1,45m



Motor inclusion  
 Sensory inclusion  
 Mental inclusion



**Play value :**

**6**

climbing



x1

role play



x1

meeting



x1

resting



x1

hiding



x1



taking shelter

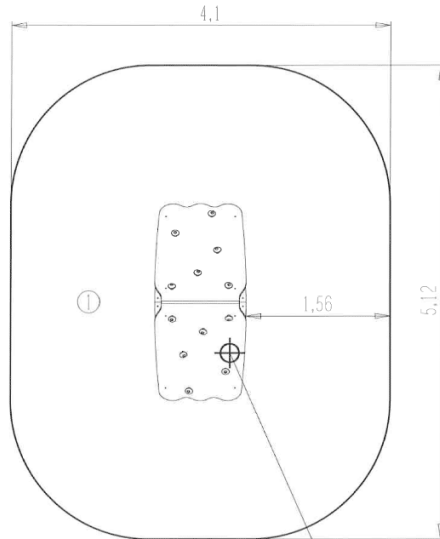


x1



## Installation of equipment

**IMPORTANT:** It is essential to refer to the installation instructions for information on the size of the safety areas.

-  Impact area (minimum normative surface)
-  Free space



Point de Référence  
Setting Out Point  
Punto de referencia  
Bezugspunkt

		
1	1,50m	19m <sup>2</sup>



2



01h50



0.1m<sup>3</sup>



19m<sup>2</sup>



110kg



23kg

