



2+



25



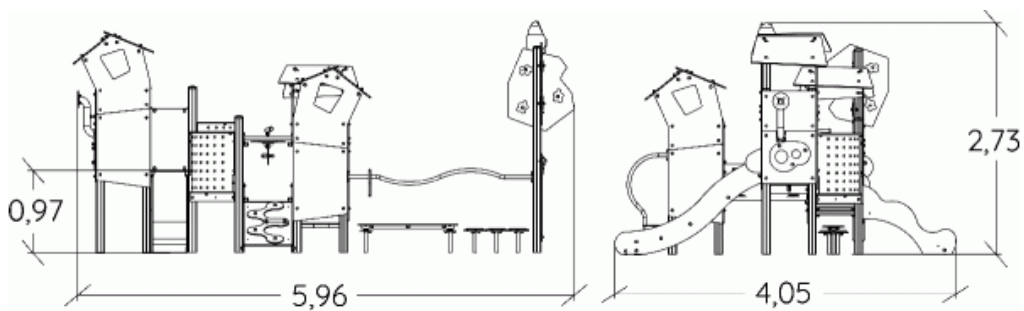
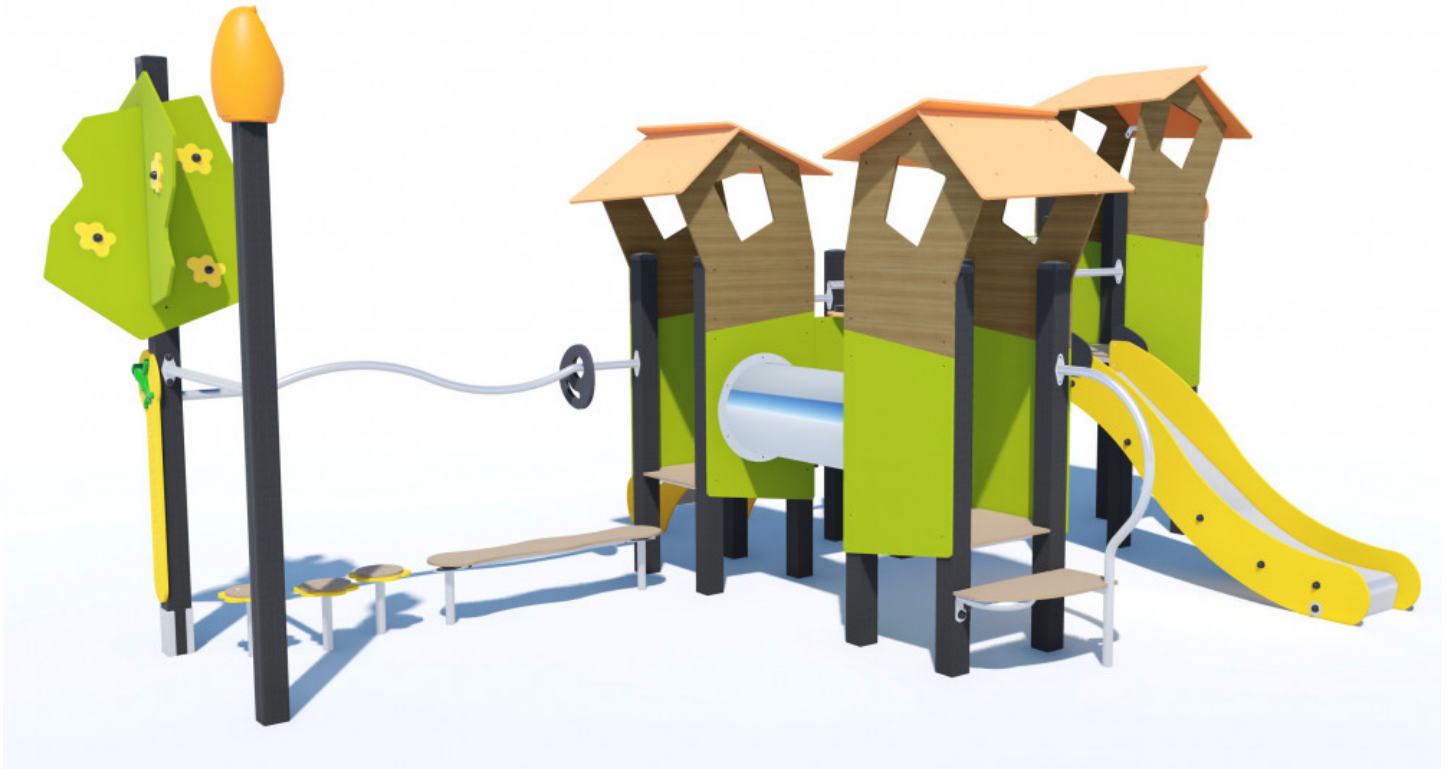
1m



1 = 5,96m
2 = 4,05m
3 = 2,73m



Motor inclusion
Sensory inclusion
Mental inclusion



Play value : **15**

role play



x1

sliding



x2

resting



x1

handling



x1

crawling



x1

hiding



x1

balancing



x1

taking shelter



x3

thinking



x1

tactile stimulation



x1

visual stimulation



x1

climbing



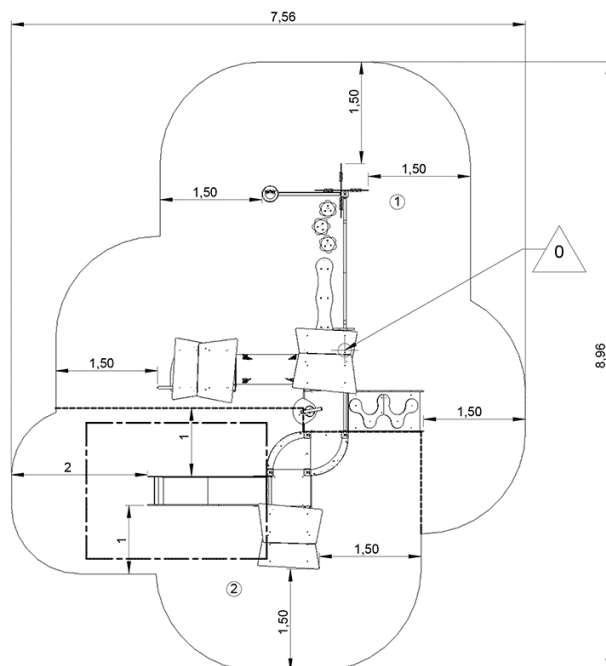
x1

Installation of equipment

IMPORTANT: It is essential to refer to the installation instructions for information on the size of the safety areas.

———— Impact area (minimum normative surface)

- - - - - Free space



1	0,6m	30m ²
2	1m	18,5m ²



2



23h00



0.8m³



48.5m²



750kg



20kg

EN

1176