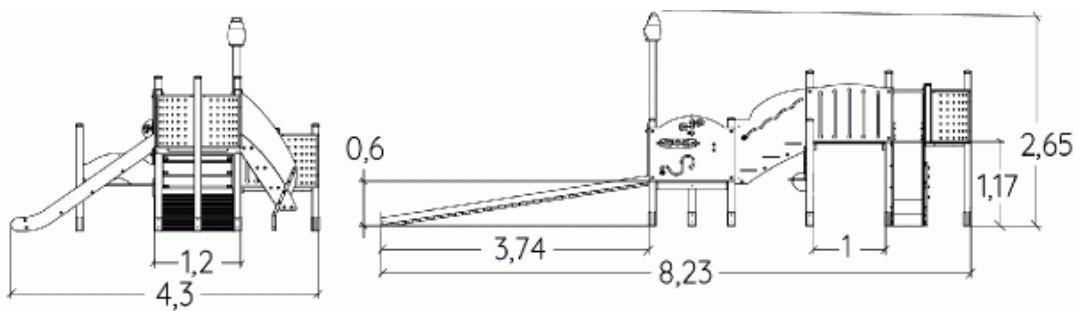
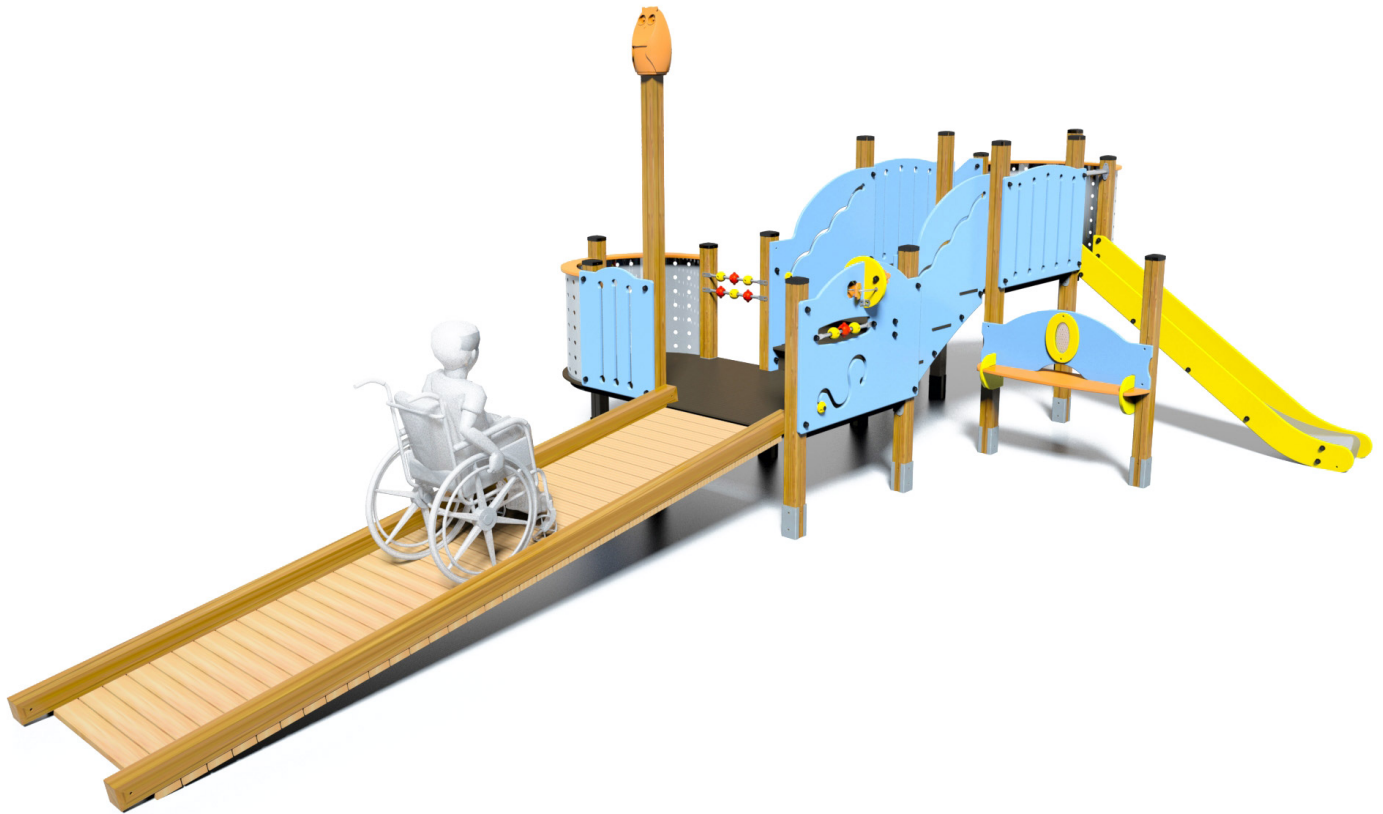


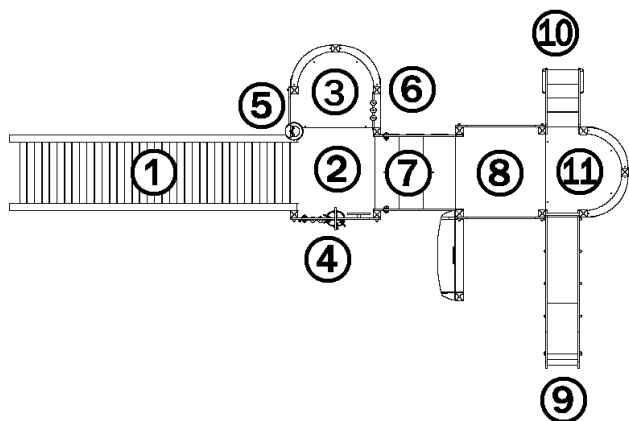
Motor inclusion
Sensory inclusion
Mental inclusion



Play value : **14**

role play	sliding	meeting	handling	tactile stimulation	visual stimulation	climbing	getting across
x1	x1	x4	x2	x2	x1	x2	x1



Components

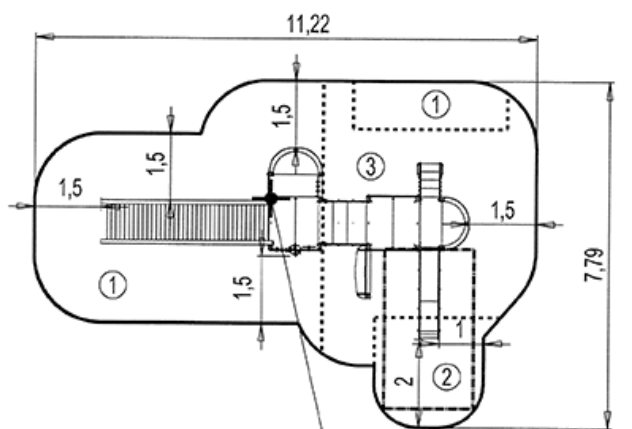


- ① Ramp HT: 0.6m L: 0.38m
- ② Platform - 4 posts - 1.2 x 1.2m
- ③ Platform
- ④ Play panel
- ⑤ Owl
- ⑥ Abacus
- ⑦ Stairs between platforms 0.6m L: 1m
- ⑧ Platform - 4 posts - 1.2 x 1.2m
- ⑨ Slide
- ⑩ Stairs (under 36 months)
- ⑪ Counter

Installation of equipment

IMPORTANT: It is essential to refer to the installation instructions for information on the size of the safety areas.

-  Impact area (minimum normative surface)
-  Free space



Point de Référence
Setting Out Point
Punto de referencia
Bezugspunkt



		
1	0,60m	33,5m ²
2	1,00m	6m ²
3	1,17m	22m ²



2

21h00

0.7m³

61.5m²

712kg

111kg



EN

1176