


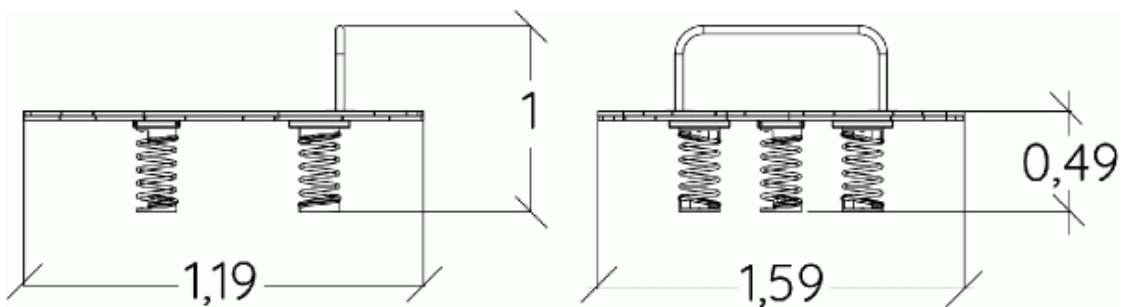
 3+
 5
 0,6m


 1 = 1,59m
 2 = 1,19m
 3 = 1m



Motor inclusion
 Sensory inclusion
 Mental inclusion



Play value : 4

role play



x1

meeting



x1

balancing



x1

Oscillate



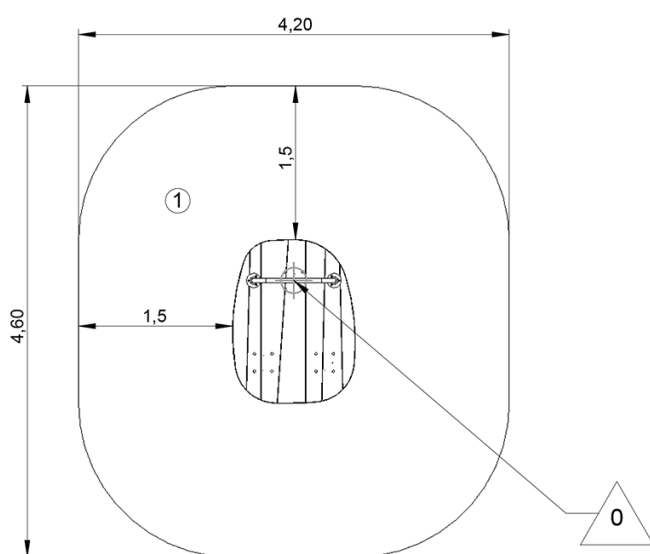
x1

Installation of equipment

IMPORTANT: It is essential to refer to the installation instructions for information on the size of the safety areas.

———— Impact area (minimum normative surface)

- - - - - Free space



1	0,60m	17,5m ²



2



03h00



0.02m³



17.5m²



122kg



56kg

