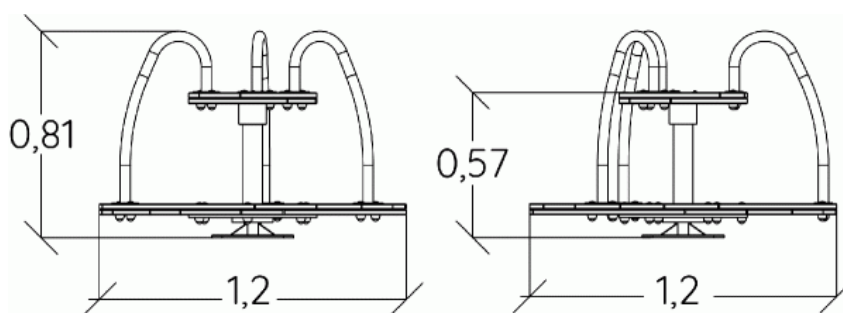


Motor inclusion
Sensory inclusion
Mental inclusion



Play value : **3**

meeting

balancing

rotating



x1

x1

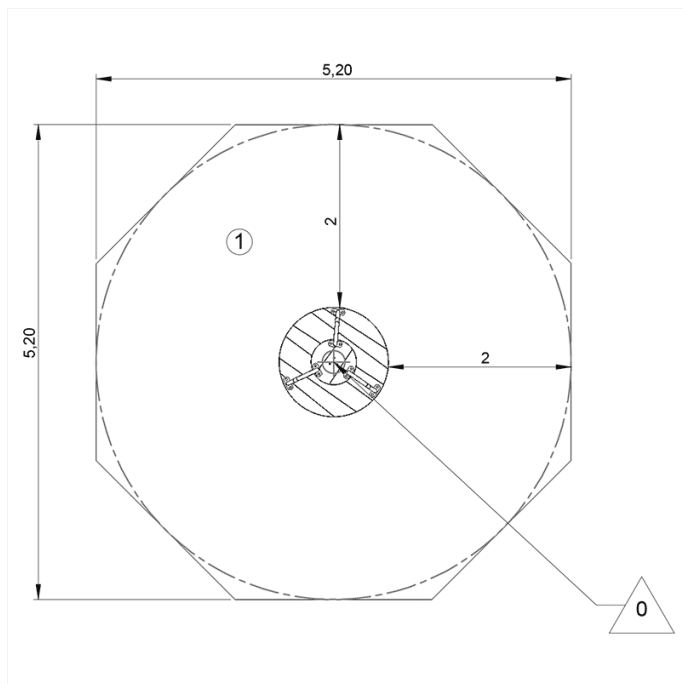
x1



Installation of equipment

IMPORTANT: It is essential to refer to the installation instructions for information on the size of the safety areas.

———— Impact area (minimum normative surface)

- - - - - Free space



		
1	1,00m	22,5m ²



2



02h00



0.15m³



22.5m²



129kg



37kg

