



3+



2



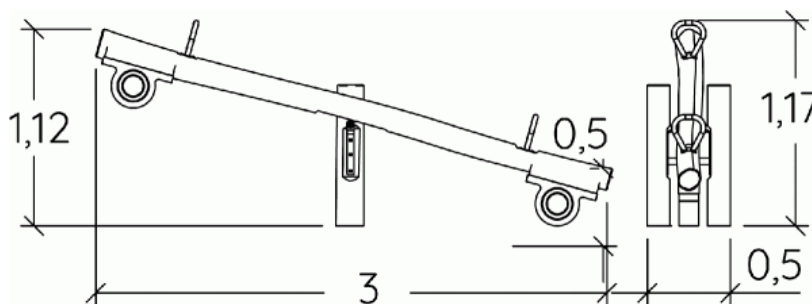
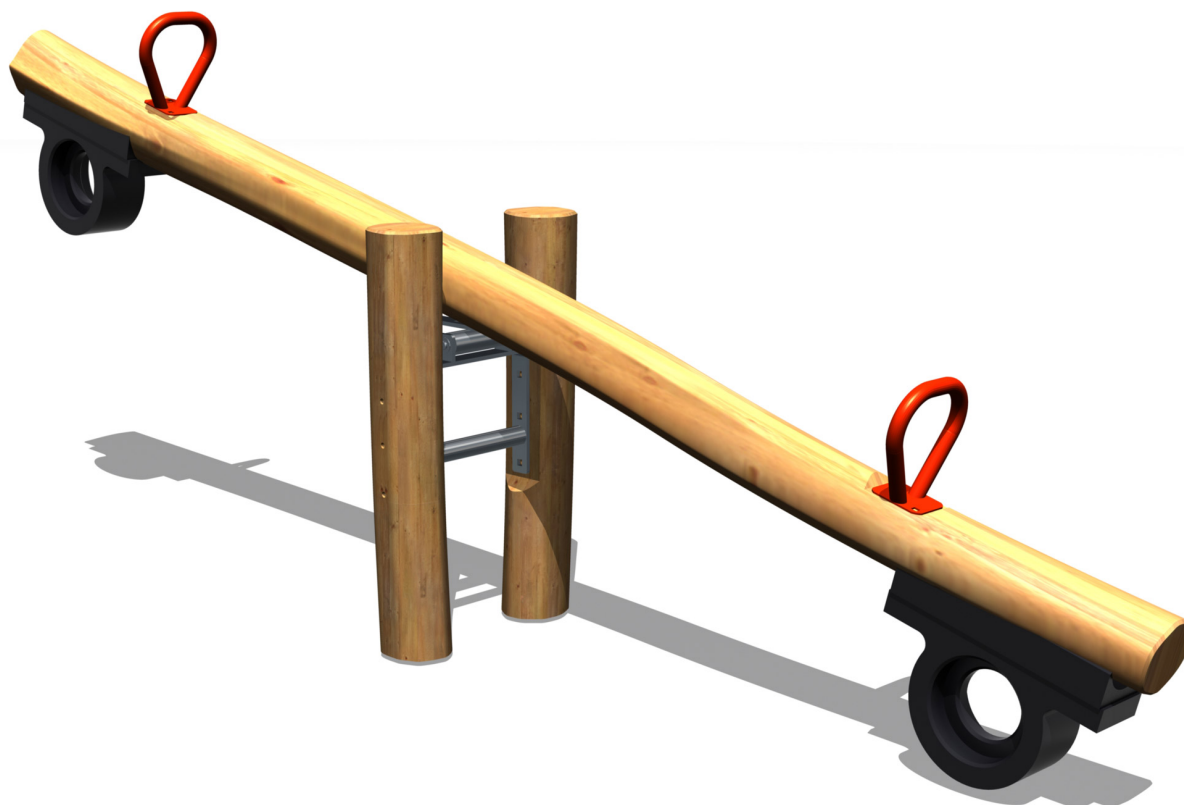
1,17m



1 = 3m
2 = 0,5m
3 = 1,12m



Motor inclusion
Sensory inclusion
Mental inclusion



Play value : **3**

meeting



x1

swinging



x1


balancing



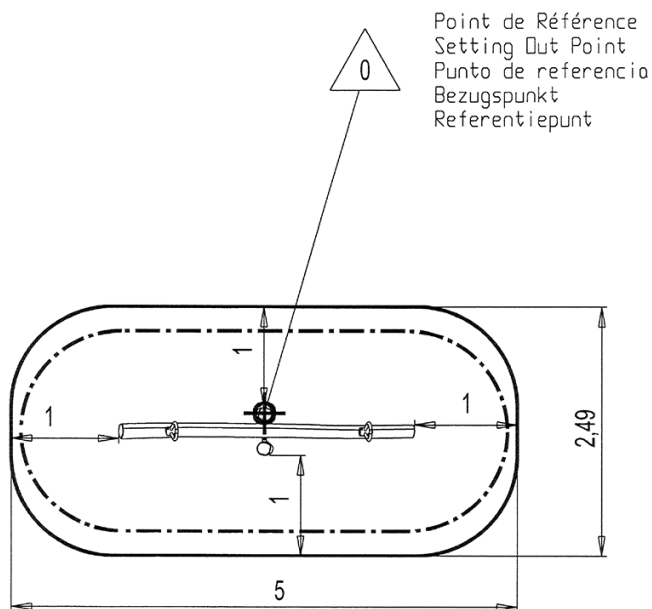
x1



Installation of equipment

IMPORTANT: It is essential to refer to the installation instructions for information on the size of the safety areas.

 Impact area (minimum normative surface)

 Free space



	
1	1,17m
	12m ²



2



01h00



0.16m³



12m²



99kg



51kg

