



2+



24



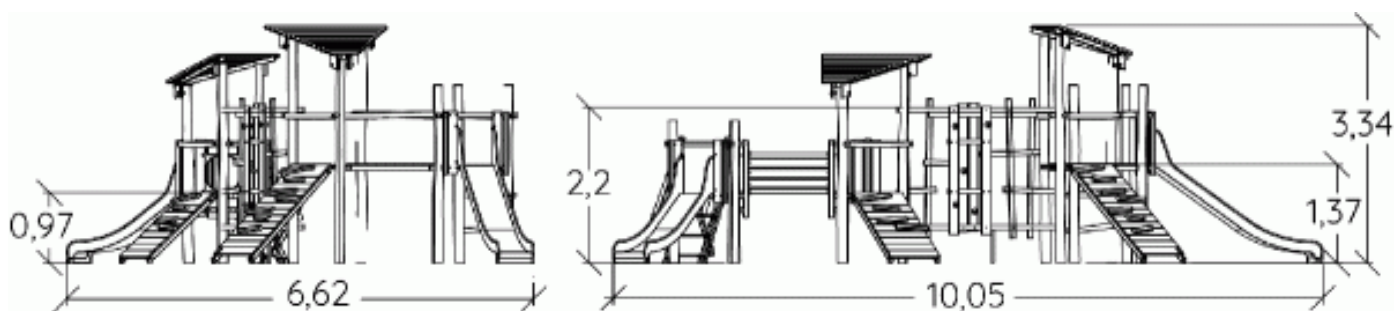
2,3m



1 = 10,05m  
2 = 6,62m  
3 = 3,34m



Motor inclusion  
Sensory inclusion  
Mental inclusion



Play value : **21**

climbing



x1

role play



x3

sliding



x2

meeting



x4

crawling



x1

hiding



x1

taking shelter



x2

climbing



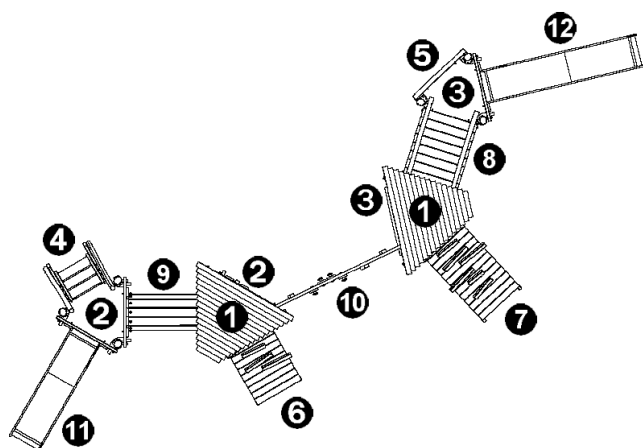
x4

getting across



x3



## Components

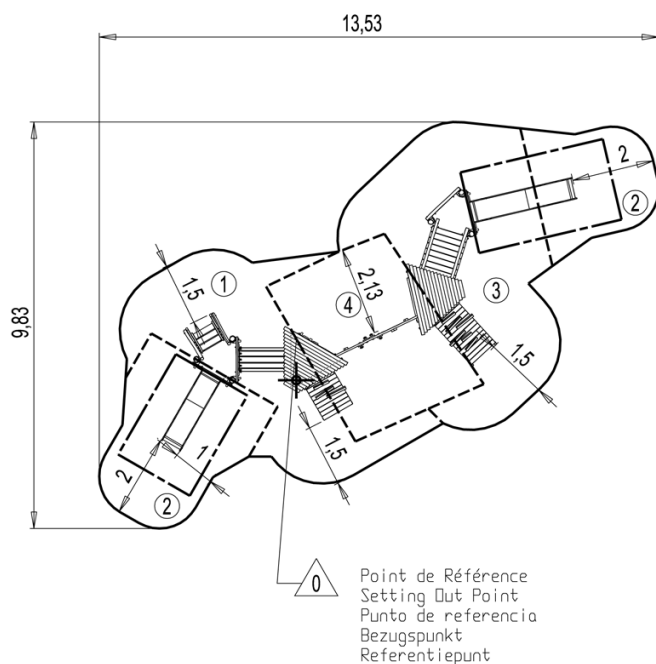




- ① Roof
- ② Platform Ht: 0.97m
- ③ Platform Ht: 1.37m
- ④ Stairs
- ⑤ Vertical ladder Ht: 1.17
- ⑥ Sloping ramp with logs Ht: 0.97m
- ⑦ Sloping ramp with logs Ht: 1.37m
- ⑧ Crossover
- ⑨ Tunnel
- ⑩ Climbing wall
- ⑪ Slide Ht: 0.97m
- ⑫ Slide Ht: 1.37m

## Installation of equipment

**IMPORTANT:** It is essential to refer to the installation instructions for information on the size of the safety areas.

-  Impact area (minimum normative surface)
-  Free space



		
1	0,97m	16,5m <sup>2</sup>
2	1m	19,5m <sup>2</sup>
3	1,37m	22,5m <sup>2</sup>
4	2,3m	14,5m <sup>2</sup>



3



20h00



0.13m<sup>3</sup>



73m<sup>2</sup>



1183kg



90kg

