



1-8



8



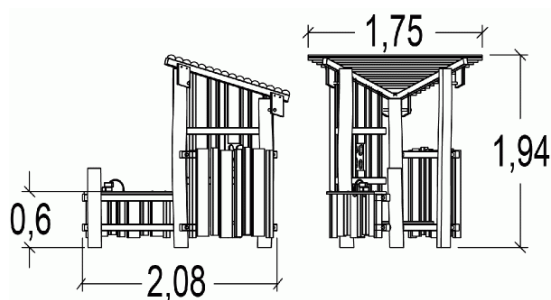
0,6m



1 = 2,08m  
2 = 1,75m  
3 = 1,94m



Motor inclusion  
Sensory inclusion  
Mental inclusion



Play value :

6

role play



x2

meeting



x1

resting



x1

handling



x1

taking shelter



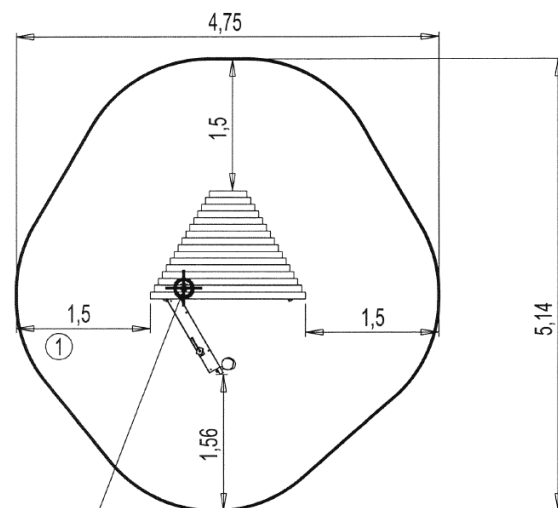
x1

## Installation of equipment

**IMPORTANT:** It is essential to refer to the installation instructions for information on the size of the safety areas.

———— Impact area (minimum normative surface)

- - - - - Free space



0 Point de Référence  
Setting Out Point  
Punto de referencia  
Bezugspunkt  
Referentiepunt

1	<0,6m	18m <sup>2</sup>



2



8h00



0.07m<sup>3</sup>



18m<sup>2</sup>



225kg



35kg

