



2+



1



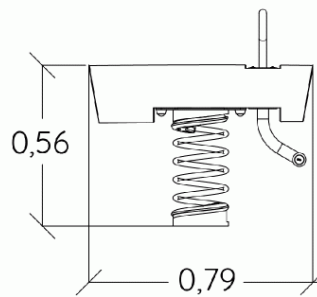
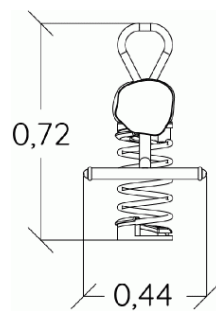
0,6m



1 = 0,79m
2 = 0,44m
3 = 0,72m



Motor inclusion
Sensory inclusion
Mental inclusion



Play value :

3

role play



x1

balancing



x1

Oscillate



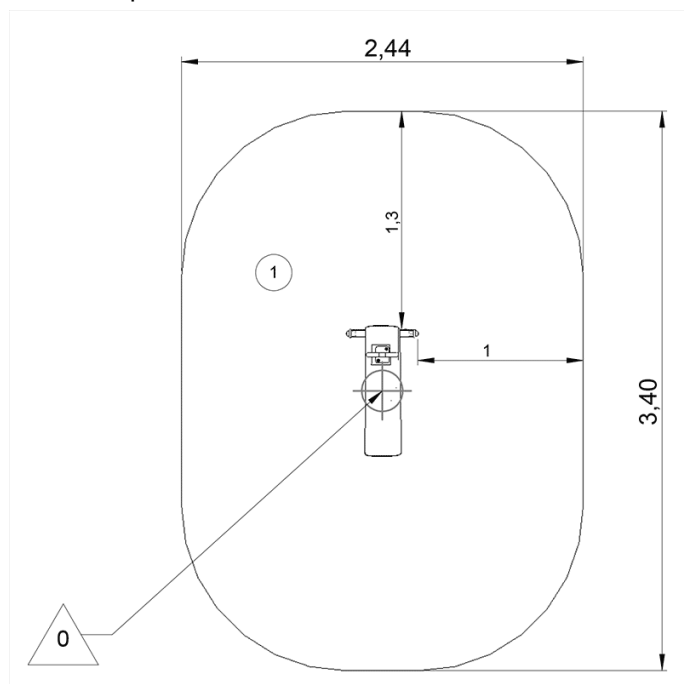
x1



Installation of equipment

IMPORTANT: It is essential to refer to the installation instructions for information on the size of the safety areas.

———— Impact area (minimum normative surface)

- - - - - Free space



		
1	0,60m	7,5m ²



2



02h15



0.02m³



7.5m²



101kg



80kg

