

# Datasheet

## Timber Basket Swing

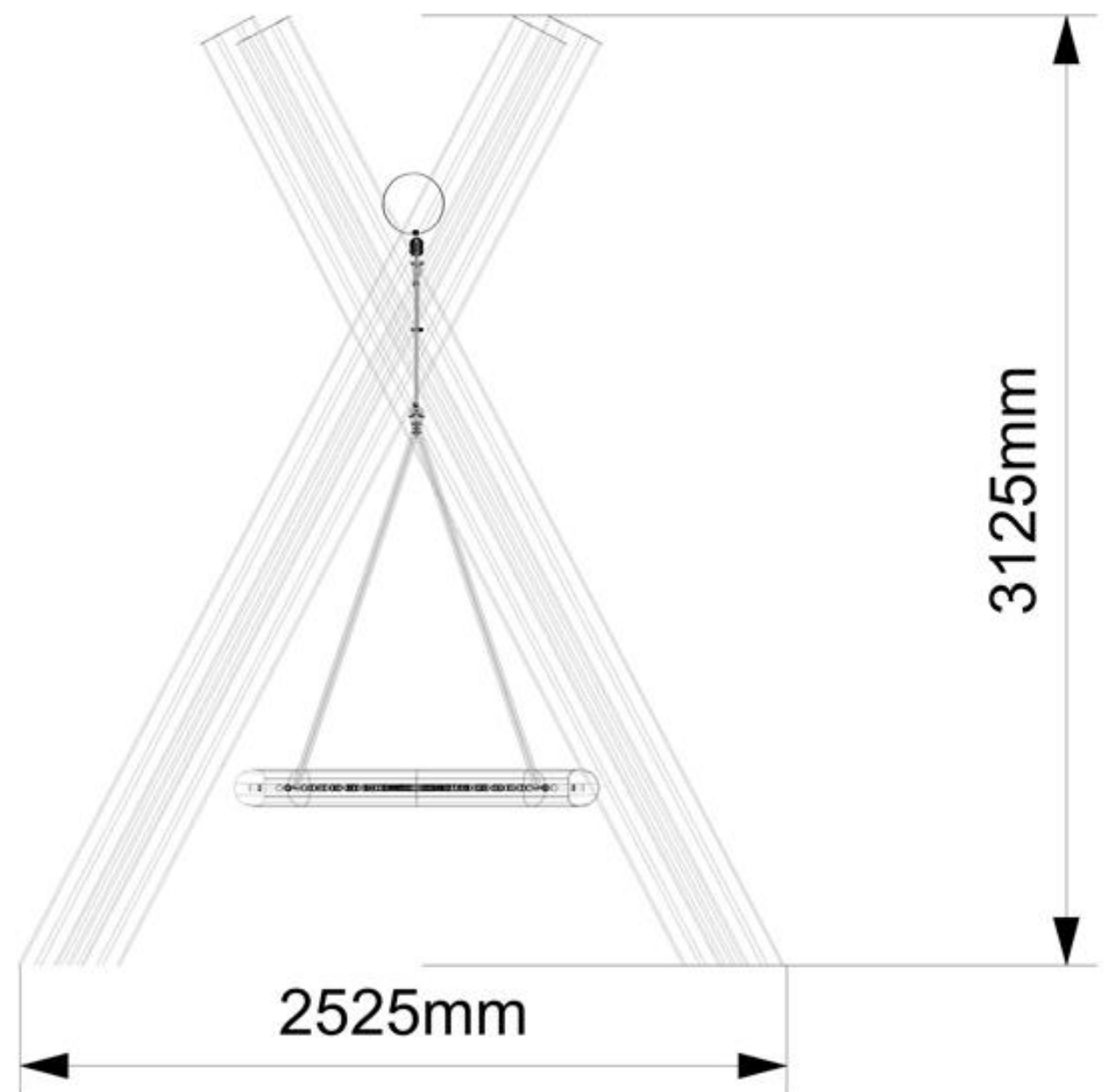
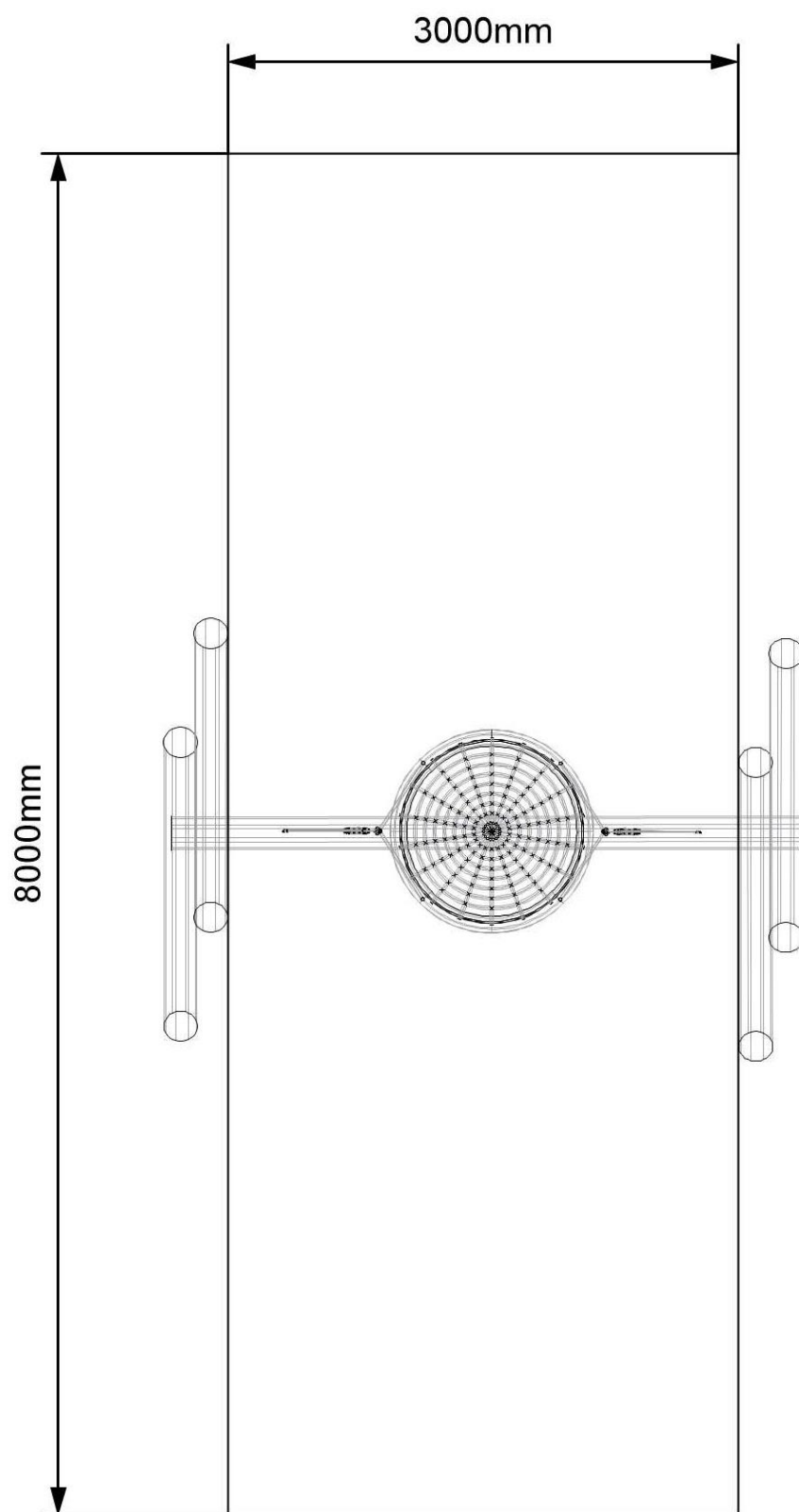
Age 2+

Capacity 4  
Activities 1



# Datasheet

## Timber Basket Swing



INSTALL TIME	<b>4 Hours</b>
CUBIC METERAGE	<b>1.06m<sup>3</sup></b>
CFH	<b>1.6m</b>



Playco Equipment Limited  
P 0800 76 46 76 +64 9 412 2247  
F +64 9 412 2248  
PO Box 548 Kumeu 0841 Auckland New Zealand  
W [www.playco.co.nz](http://www.playco.co.nz)