

# Datasheet

## Large Inclusive Carousel

Age 3+

### Suitable for two wheelchair users and 4 more people.

This carousel allows children with and without disabilities to enjoy the thrill of spinning together, promoting inclusive play. Equipped with a specialised brake system, it grants wheelchair users the autonomy to control the stopping of the carousel, enhancing both safety and user experience. Additionally, it is designed with two small safety gates to prevent wheelchair users from slipping out. The carousel accommodates standard wheelchairs, although please note that wheelchairs with extra fixtures, specialty models, electric wheelchairs, and oversized wheelchairs may not fit.

### Product Details:

- Frame Material: Galvanized metal tube
- Base Material: 2 mm aluminium chequer plate
- Weight: Approximately 480 kg
- Free space 6000/7000
- Brake system
- 232cm diameter, height 80cm, door for wheelchair approx. 75cm width



Playco Equipment Limited

P 0800 76 46 76 +64 9 412 2247

F +64 9 412 2248

PO Box 548 Kumeu 0841 Auckland New Zealand

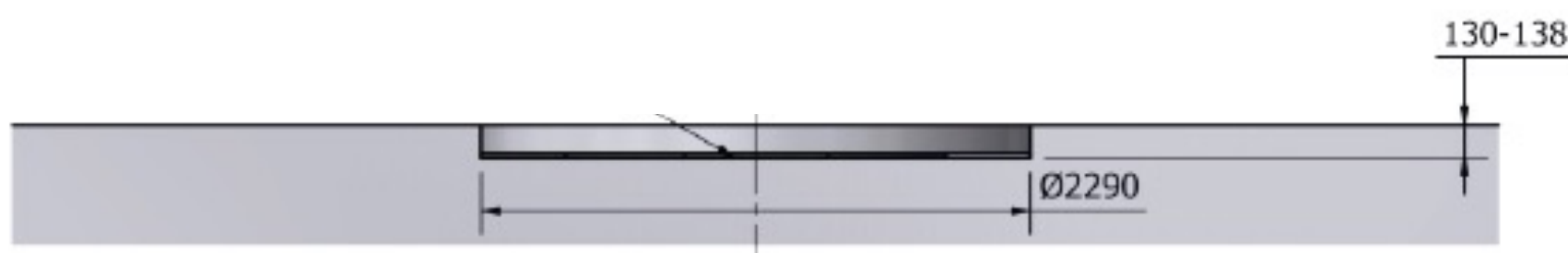
W [www.playco.co.nz](http://www.playco.co.nz)

# Datasheet

## Large Inclusive Carousel

### Installation Space

Safety area: Ø 6300mm



### Important notes

The large inclusive carousel is designed for installation on public playgrounds. It is designed for users with and without wheelchairs to use together.

**Start the ride-** The safety gates are opened and then the users can access the carousel. After the gates have been closed the carousel can turn.

**Stop the ride-** After carousel has stopped, the gates can be opened and the users are able to leave the carousel.

**The brakes-** For the brakes to operate correctly they need be adjusted properly on install. The safety gates should only be opened when the carousel is not rotating. When the gates are opened the carousel is held by the brake and will not rotate. This will ensure that the wheelchair driver and all other users may enter and leave the carousel safely. The brake is an additional safety mechanism that ensures that in the case of faulty operation, the carousel will stop immediately.

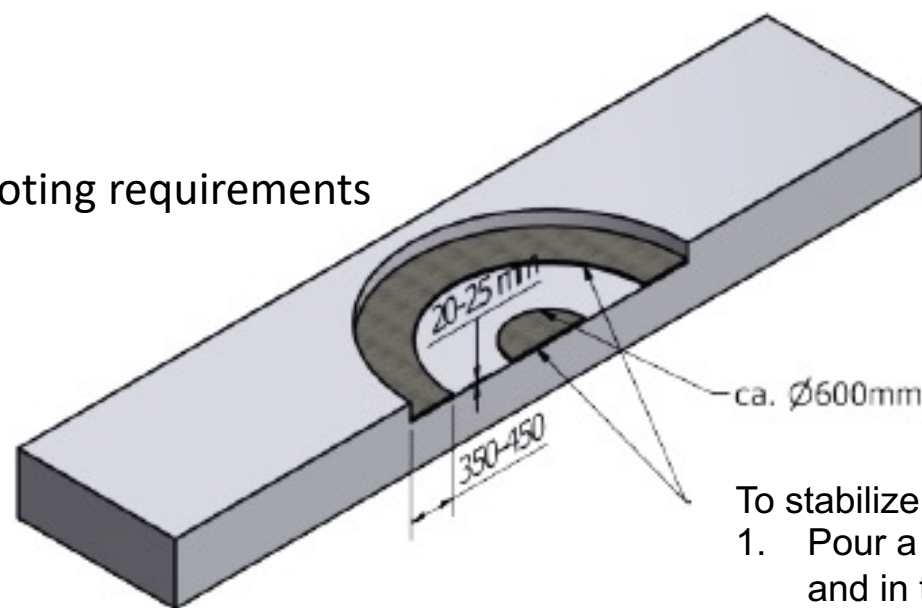


# Datasheet

## Large Inclusive Carousel

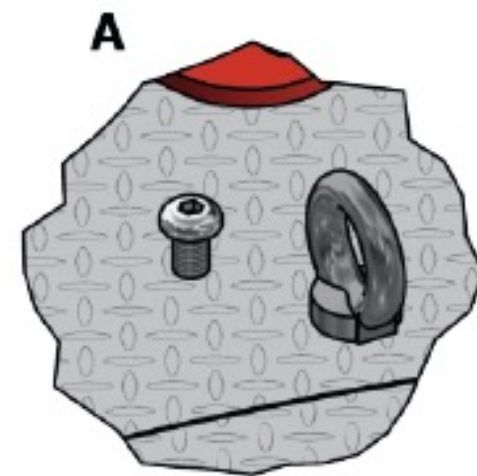
### Installation of Carousel

#### Footing requirements

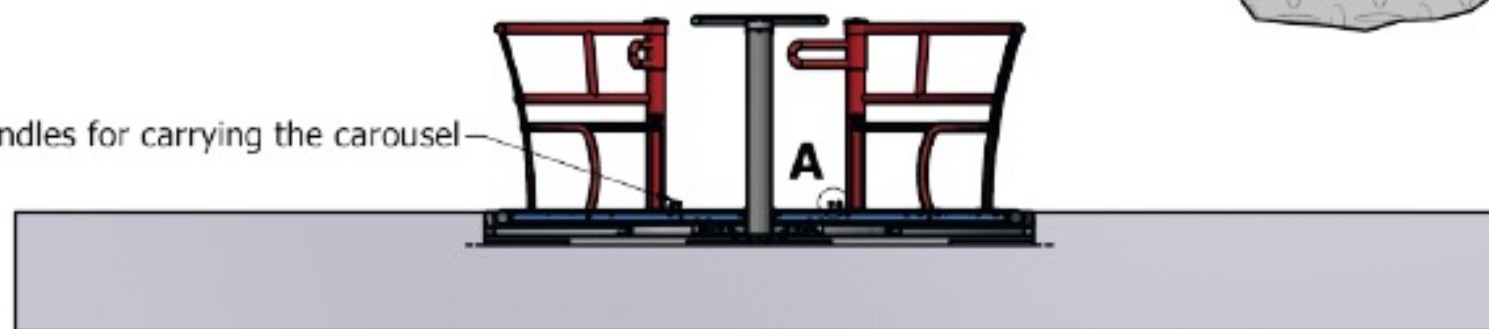


To stabilize the carousel:

1. Pour a thin layer of concrete 20-25mm thick around the perimeter and in the center of the dug foundation.
2. Put the carousel on the freshly poured concrete.



handles for carrying the carousel

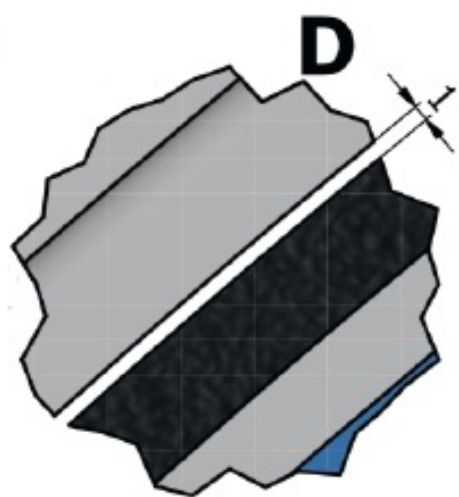
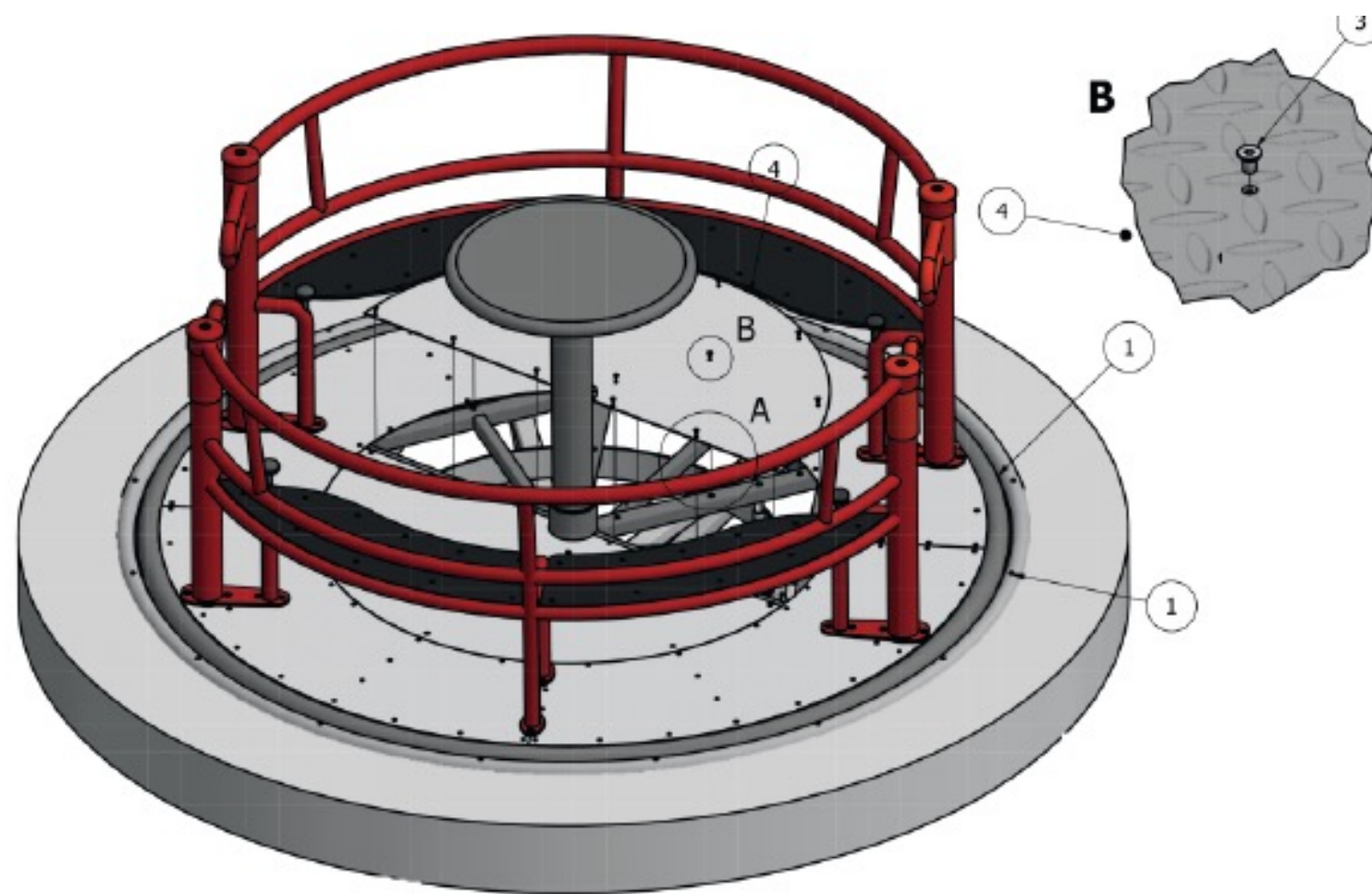


1. The carousel is delivered assembled.
2. Using a crane, install the carousel into the footing according to the drawing (use ring shape handles for carrying the carousel).
3. Unscrew, remove handles and plug holes with the attached screws.

# Datasheet

## Large Inclusive Carousel

### Adjusting the brake



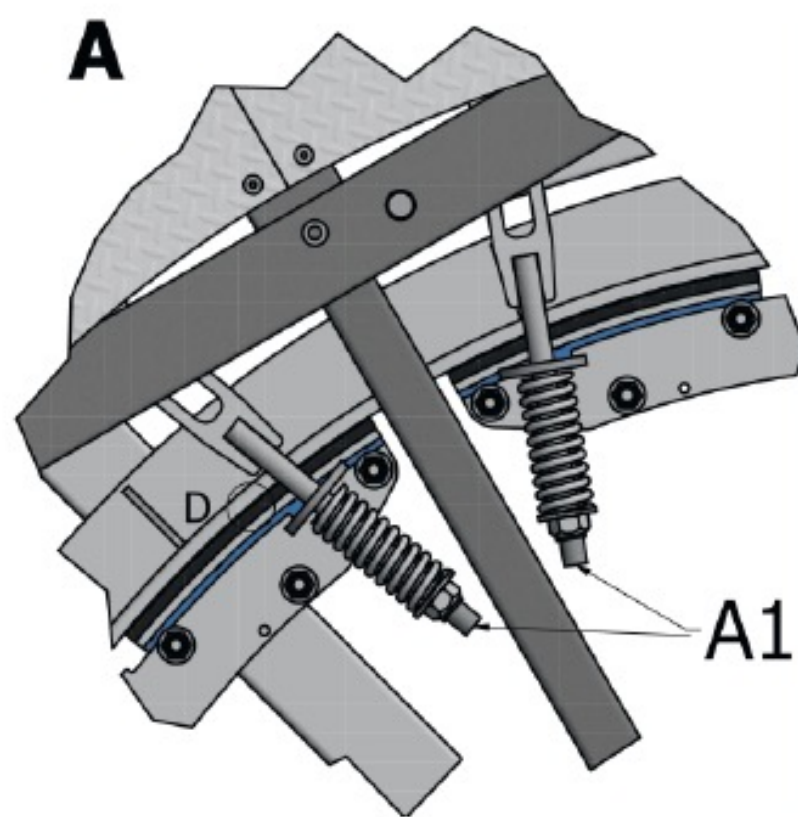
The safety gates must be closed to adjust the brake.  
The brake shoes have to be adjusted in a way that approx. 1mm space is between the brake pad and the brake ring.

Element	Quantity	Name
1	1	Foundation
2	1	Carousel
3	1	Screw M6x10mm
4	1	Floor Panel

# Datasheet

## Large Inclusive Carousel

### Adjusting the brake



The brake shoes should not rub against the brake frame when the safety gates are closed and carousel is turning.

- You must check this after every adjustment of the brake.
- If the brake shoes begin to rub against the brake frame, please turn the screw approx 180deg.
- If you want to check the brake is working correctly, open just one safety gate, the carousel should begin to brake. If you open both safety gates the carousel should fully brake.